



S9700-53DX

Core/Edge Router

Hardware Installation Guide

R1.3





Table of Contents

1	Overview	1
2	Preparation	2
2.1	Installation Tools.....	2
2.2	Installation Environment Requirements.....	3
2.3	Preparation Check List	4
3	Package Contents	5
3.1	Accessory List.....	5
3.2	Component Physical Information	6
4	Identifying Your System	7
4.1	S9700-53DX Overview	7
4.2	PSU Overview.....	7
4.3	Fan Overview	8
4.4	Port Overview	9
5	Rack Mounting	10
6	Installing Fan Modules	13
7	Installing Power Supply Units	14
8	Grounding the Router	16
9	Connecting Power	18
9.1	DC Version.....	18
9.2	AC Version.....	21
10	Verifying System Operation	22
10.1	Front Panel LED.....	22
10.2	PSU FRU LED	23
10.3	Fan FRU LED	23
10.4	Management port LED.....	23
11	Initial System Setup	24
12	Cable Connections	26
12.1	Connecting the USB Extender Cable.....	26
12.2	Connecting the Transceiver	26
13	Cautions and Regulatory Compliance Statements	27
13.1	Cautions and Regulatory Compliances	27



1 Overview

The UfiSpace S9700-53DX is a high-performance, versatile, open disaggregated core and edge router. It provides 100GE high speed Ethernet ports with fabric ports that is used to form a distributed disaggregated chassis (DDC) cluster. Whether used as a standalone router or in a pay-as-you-grow cluster, the S9700-53DX enables service providers to meet the high traffic loading in 5G application scenarios. In the past, monolithic chassis was the only solution for carrier aggregation and core networks, now, the S9700-53DX serves as a 100G IP Edge supporting high-bandwidth services or as a high speed and reliable switching clusters for the 100G core backbone.

With redundant power supplies and fans together with a high port density design, our S9700-53DX delivers high system reliability, Ethernet switching performance and intelligence to the network and helps reduce infrastructure and administrative costs.

This document describes the technical specifications designed for S9700-53DX.



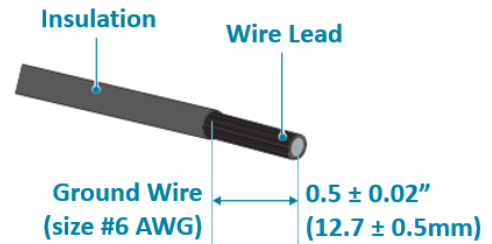
2 Preparation

2.1 Installation Tools

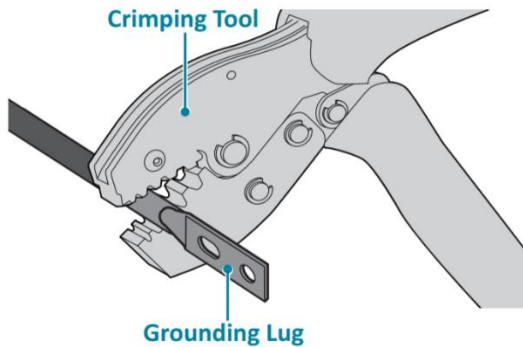


Screwdriver (Phillips head #2)

Phillips #2 Screw Driver



6-AWG green-and-yellow wire for grounding
6-AWG for DC power cable



Crimping tool



Wire stripping tool



Note

All illustrations within this document are for reference purposes only. Actual objects may differ.

- PC with terminal emulation software. Refer to the "Initial System Setup" section for details.
 - Baud rate: 115200 bps
 - Data bits: 8
 - Parity: None
 - Stop bits: 1
 - Flow control: None

2.2 Installation Environment Requirements

- Power Reserve: The S9700-53DX power supply is available with:
 1. **DC Version:** 1+1 Redundant and hot swappable, active-active -40 to -72V DC power supply field replaceable unit or;
 2. **AC Version:** 1+1 Redundant and hot swappable, active-active 200 to 240V AC power supply field replaceable unit.

To ensure the redundant, active-active feed power design functions properly, a field with dual power circuit is recommended with a reserve of at least 2000 watts on each power circuit.

- Space Clearance: The S9700-53DX chassis width is 17.16 inches (43.6cm) and is shipped with an adjustable mounting rail kit suited for standard 19 inch (48.3cm) wide racks. The depth of the S9700-53DX chassis is 30 inches (76.2cm) without the field replaceable units (FRUs). The handle of fan FRU is 1 inch (2.5cm) and the handle of the PSU FRU is 1.5 inches (3.8cm). Therefore, to accommodate the fan, power supply handles, airflow and cabling, a minimum space clearance of 6 inches (15.2cm) is needed at front and back of the S9700-53DX. A total minimum reserve depth of 42 inches (106.6cm) is required.

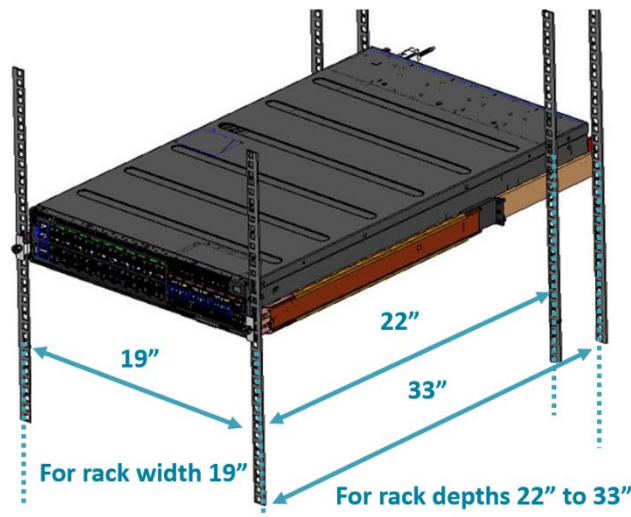


Figure 1.

- Cooling: The S9700-53DX airflow direction is front-to-back. Make sure the equipment on the same rack have the same airflow direction.

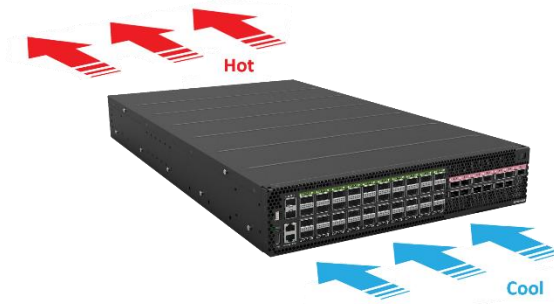


Figure 2.

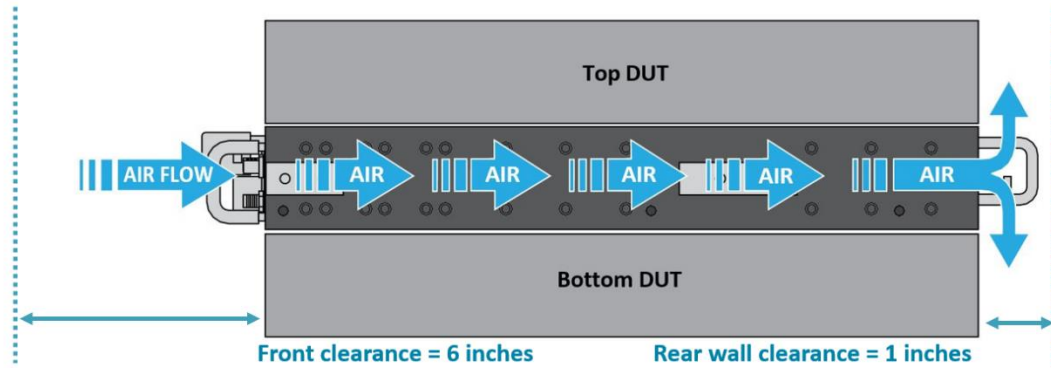


Figure 3.

2.3 Preparation Check List

Task	Check	Date
Power voltage and electric current requirement DC version: -40 to -72V DC, 60A maximum x2 or; AC version: 200 to 240V AC, 12.5A maximum x2		
Installation spacing requirement S9700-53DX chassis spacing requires a height of 2RU (3.45"/8.8cm), a width of 19" (48.3cm), and a depth of 42 inches (106.6cm)		
Thermal requirement S9700-53DX working temperature is 0°C to 45°C (32°F to 113°F), airflow direction is front-to-back		
Installation tools required #2 Philips screwdriver, wire-stripping tools for stripping 6-AWG, crimping tool for ground lug		
Accessories required PC with USB ports and terminal emulation software		



3 Package Contents

3.1 Accessory List

Item	Description	Spec. & Dimensions	Qty.	Weight
1	Grounding Kit	AC Version: 1 x Grounding Lug (# 6 AWG) 1.14" x 1.47" x 0.49" (29 x 37.5 x 12.5mm) 2 x Screw: M4*L8.0mm 2 x M4 Lock Washers	1 set	0.04lbs (17g)/1 set
		DC Version: 5 x Grounding Lug (# 6 AWG) 1.14" x 1.47" x 0.49" (29 x 37.5 x 12.5mm) 2 x Screw: M4*L8.0mm 2 x M4 Lock Washers	1 set	0.14lbs (64.7g)/1 set
2	Adjustable Mounting Rail (for 4 post)	30.4" x 1.7" x 0.9" (771 x 44 x 22mm) (22"~33" rack depth)	2 set	7.01lbs (3.178kg)/2 set (3.5lbs (1.589kg)/1 set)
3	Screw Kit (for adjustable mounting Rail)	2 x Screw M4.0*L5.5mm	1 set	0.004lbs (1.9g)/1 set
4	AC Power Cord (AC version only)	72.05"(1830mm)	2 pcs	0.77lbs (350g)/1 pcs
5	Micro USB Cable	3.28' (1000mm)	1 pcs	0.06lbs (25.5g)/1 pcs
6	RJ45 to DB9 Female Cable	8' (2438mm)	1 pcs	0.23lbs (105g)/1 pcs

3.2 Component Physical Information

Specification	Item	Description
Weight	Total package contents	65.32lbs (29.63kg)
	Chassis without FRU	46.61lbs (21.14kg)
	Power Supply Unit (PSU)	DC PSU: 2.65lbs (1.2kg)
		AC PSU: 2.65lbs (1.2kg)
	Fan module	1.10lbs (498g)
	Ground lug	DC: 0.14lbs (63.6g)
		AC: 0.03lbs (15.3g)
	Adjustable mounting rail	3.5lbs (1.589kg)
	Micro USB cable	0.06lbs (25.5g)
	RJ45 to DB9 Female cable	0.23lbs (105g)
AC power cord (AC version only)	0.77lbs (350g)	
Dimension	S9700-53DX (W x D x H)	17.16" x 30" x 3.45" (436 x 762 x 87.7mm)
	PSU (W x D x H)	1.99 x 14.17" x 1.58" (50.5 x 360 x 40mm)
	Fan (W x D x H)	3.19" x 4.45" x 3.21" (81 x 113 x 81.5mm)



4 Identifying Your System

4.1 S9700-53DX Overview

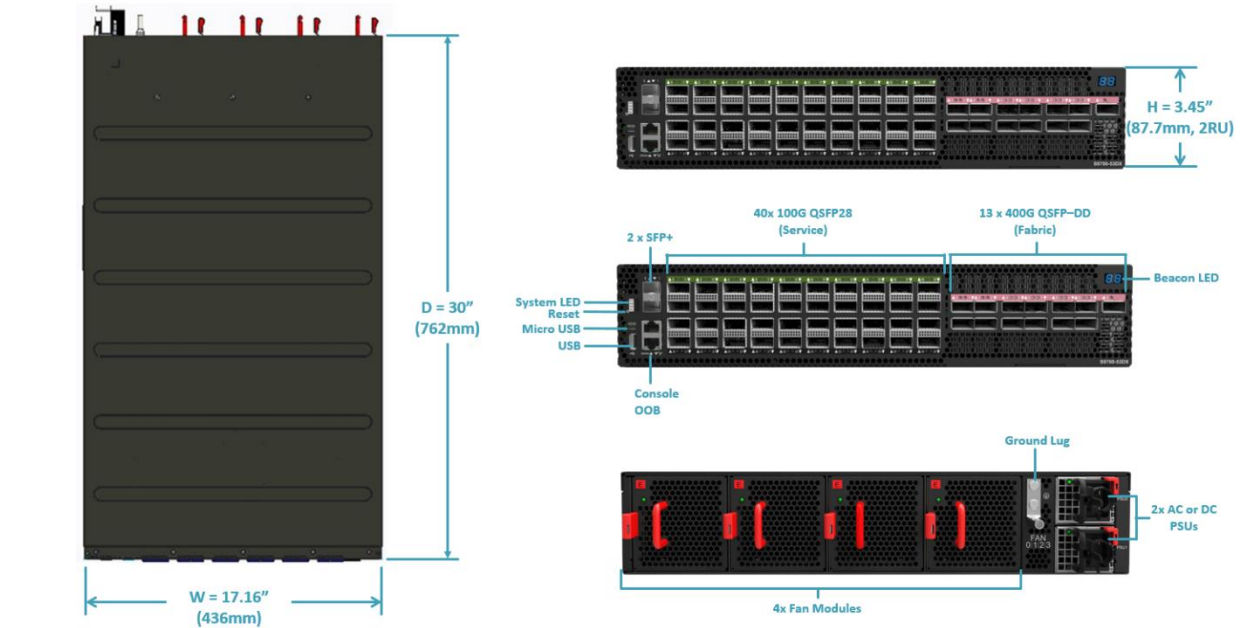


Figure 4.

4.2 PSU Overview

Power supply unit (PSU) with 1+1 Redundancy. Hot swappable, field replaceable unit (FRU).

AC Version:

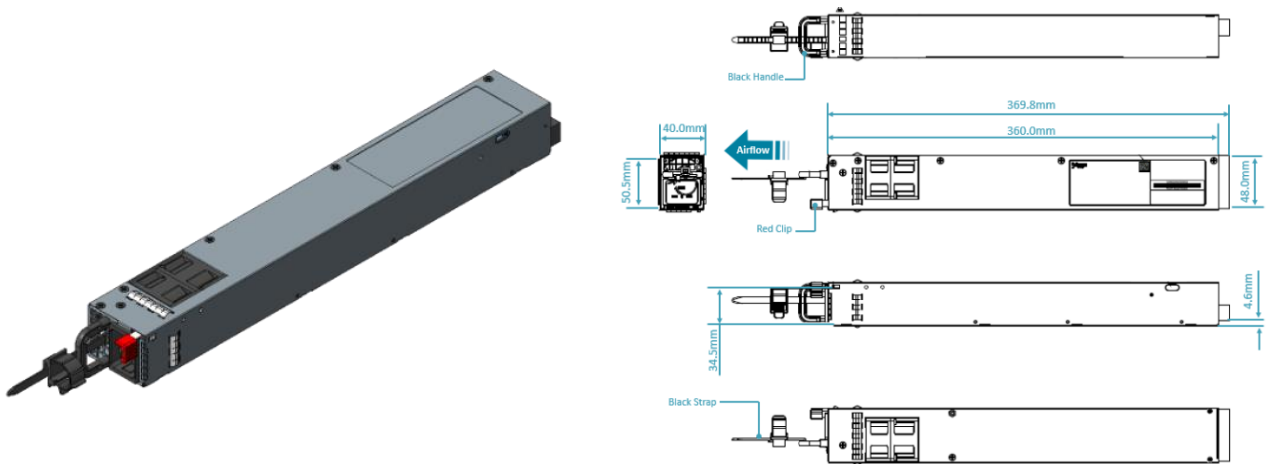


Figure 5.

DC Version:

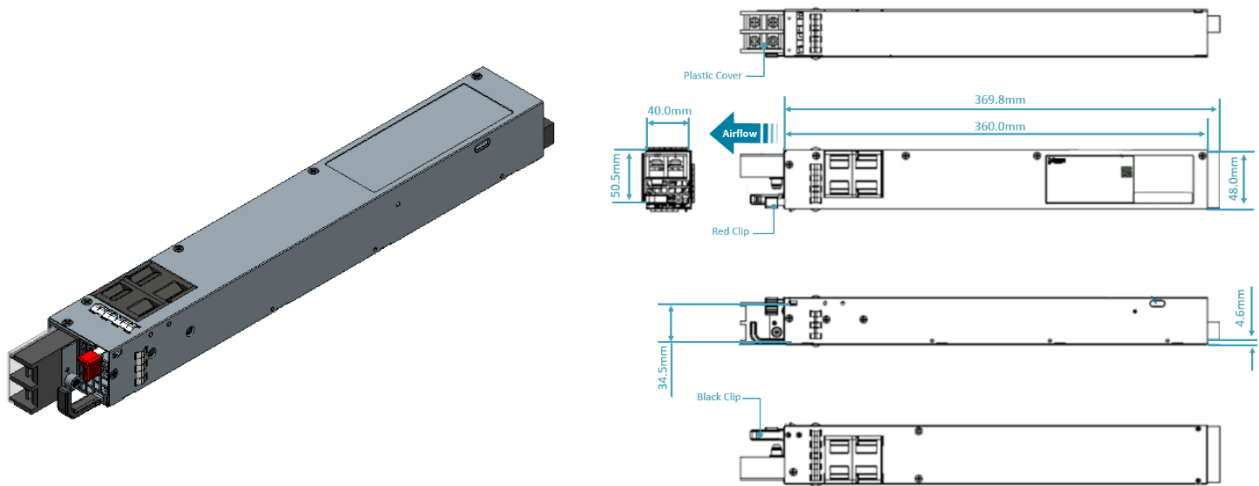


Figure 6.

4.3 Fan Overview

3+1 Redundant, hot swappable, field replaceable unit (FRU).

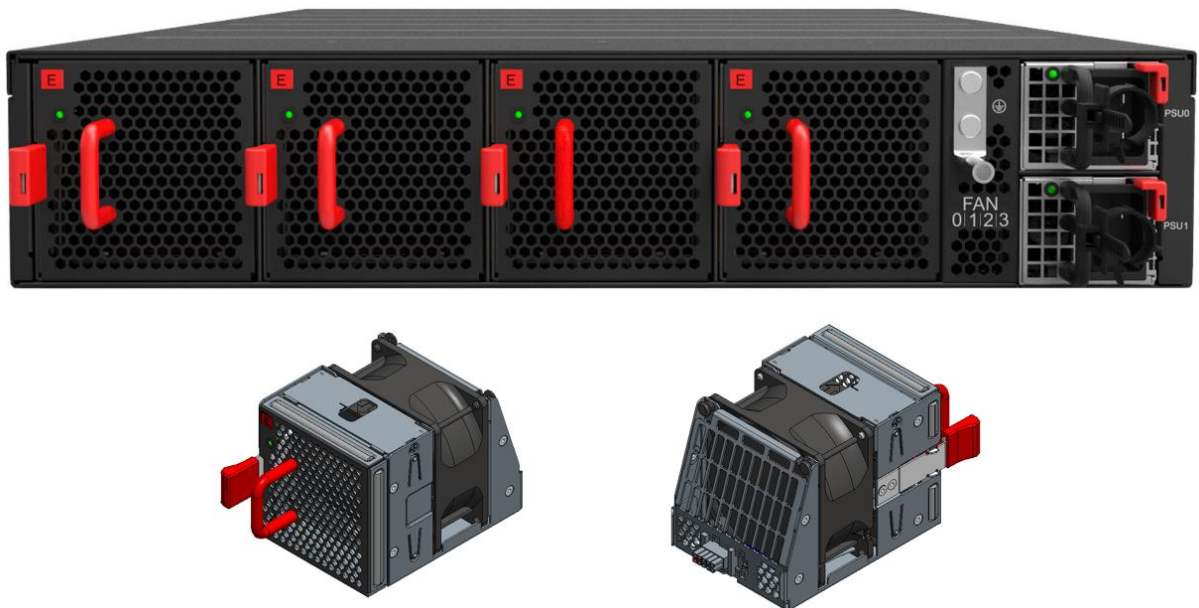


Figure 7.

4.4 Port Overview

Port ID	Form Factor	Maximum Support Distance	Support Speed
0 ~ 19	QSFP28	Up to 49.7mi (80km)	40GE/100GE (10GE/25GE in breakout)
20 ~ 39	QSFP28	Up to 49.7mi (80km)	40GE/100GE
0 ~ 12	QSFP-DD	328ft (100m)	400GE

The service ports (labelled in green in figure below) are ethernet packet based ports used to connect to servers and other networking equipment. The fabric ports (labelled in red in figure below) are only for connecting with fabric ports of the S9705-48D fabric switch.

Ports 0-19 (green label) can individually breakout into 4x25GE or 4x10GE. If any of the ports 0-19 is in breakout mode, the corresponding lower column will be disabled.



In Breakout Mode the corresponding ports in the same column will be disabled

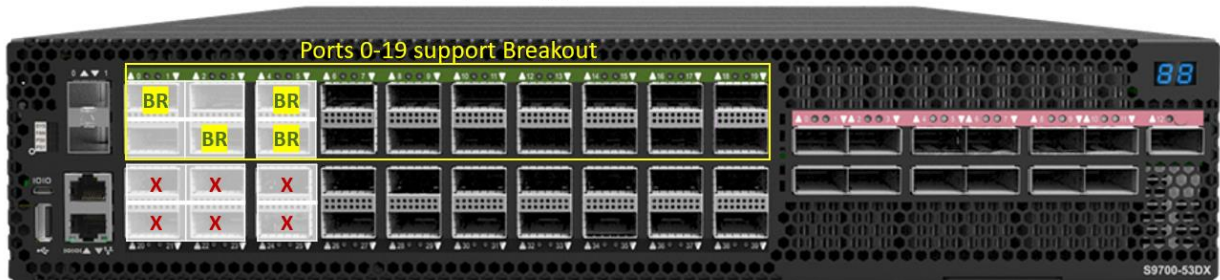


Figure 8.



5 Rack Mounting



Caution

It is recommended that installation be done by at least two trained professionals. One individual should hold the router in position, while the other secures it in place onto the rail slides.

1. Separate the adjustable mounting rail slides.
 - 1.1 Pull apart the inner and outer rails until it is locked in place. An audible click can be heard when the rails are locked in place.
 - 1.2 Pull the white tab forward to unlock the rails in order to completely separate the inner rail from the outer rail. The white tab is located on the inner rail.
 - 1.3 Once the inner rail is separated, push the tab located on the outer rail to unlock and slide the middle rail back.

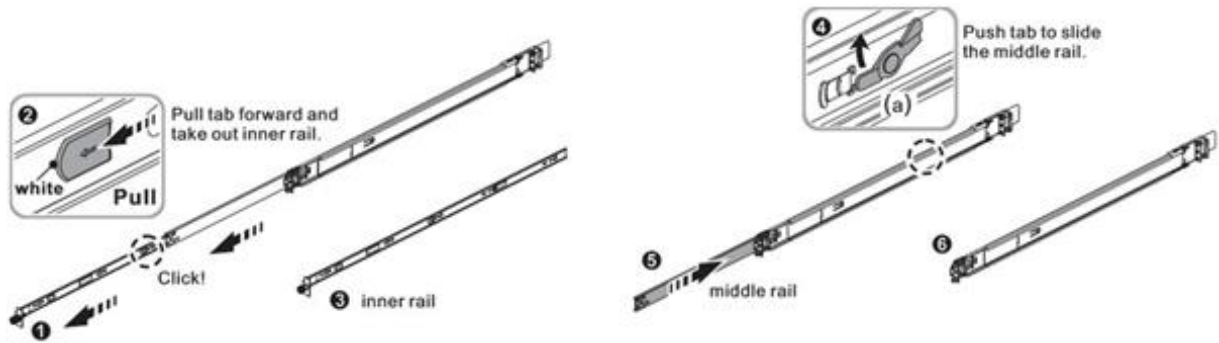


Figure 9.

2. Install the inner rails onto the chassis.
 - 2.1 The inner rail has key-shaped holes where attachment pins on the chassis can be aligned. The chassis has 5 attachment pins on each side, for a total of 10 pins. Fit the key-shaped holes with the attachment pins and pull back to hold the inner rack in place.



Note

Make sure the locking screw of the inner rail is positioned at the front of the chassis.

- 2.2 After the attachment pins are secured to the inner rail, lock the inner rail to the chassis using two M4 screws (one on each chassis side).

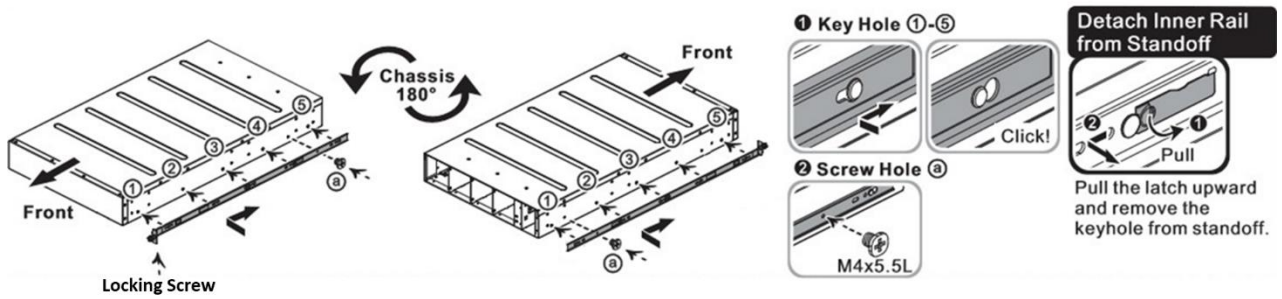


Figure 10.

3 Fix the outer rails onto the rack.

- 3.1 The outer rails have two brackets on the front and rear. Pull back the clip of the rear bracket to attach it onto the rack. An audible click can be heard when the bracket is secured onto the rack.
- 3.2 Once the rear bracket is secured, pull back the clip of the front bracket attach it to the rack. An audible click can be heard when the bracket is secured onto the rack.

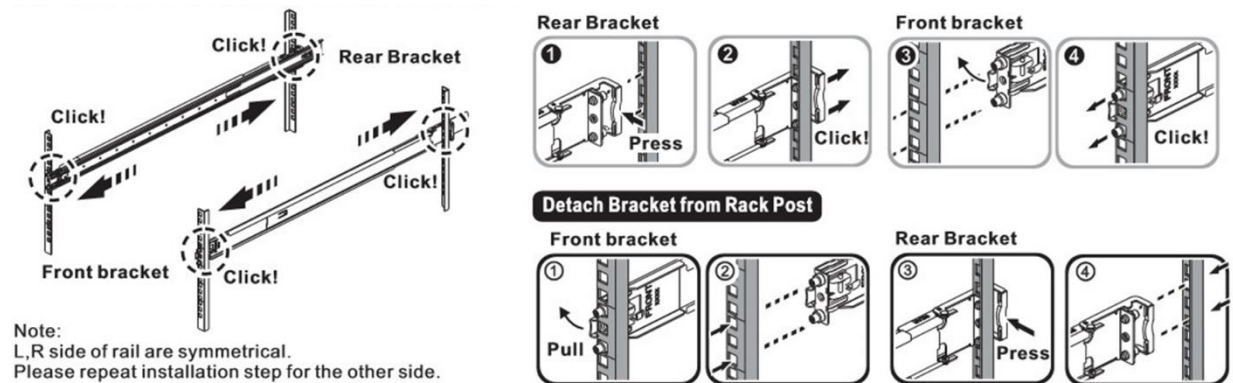
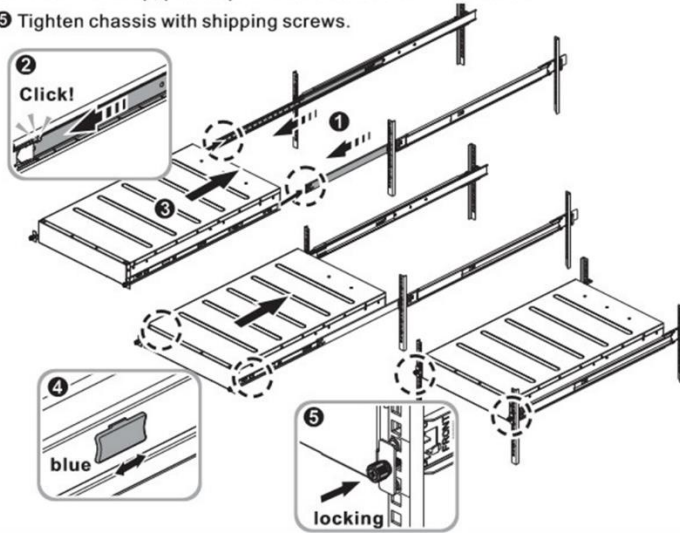


Figure 11.

4 Insert the Chassis to complete the installation.

- 4.1 Pull the middle rail fully extended into lock position, an audible click can be heard when the middle rail is fully extended and locked into position.
- 4.2 Insert the chassis by lining up the inner rails into the slot of the middle rail.
- 4.3 Slide the chassis into the middle rail until it hits a stop.
- 4.4 Push the blue release tab on each rail to unlock the rails and slide the chassis all the way into the rack.
- 4.5 Lock the chassis into place by using the screw on the front of the inner rail.

- 1 2 Pull the middle rail fully extended in lock position, ensure ball bearing retainer is located at the front of the middle rail.
- 3 Insert the chassis into middle-outer rails.
- 4 When hit a stop, please push the release tab on middle rail.
- 5 Tighten chassis with shipping screws.



Remove the chassis from rack

- 1 2 Loosen shipping screw to pull out chassis.
- 3 4 Press the disconnect tab forward to remove chassis.
- 5 6 Push tab to slide the middle rail.

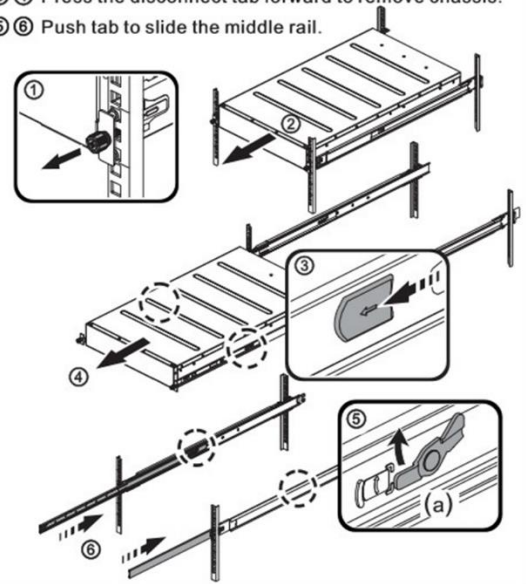


Figure 12.



6 Installing Fan Modules

The fan modules are hot swappable field replaceable units (FRUs), which can be replaced while the router is operating as long as all the remaining modules are installed and in operation. The fans come pre-installed and the following steps are instructions on how to install a new fan module.

1. Locate the release tab on the fan module. Then press and hold the release tab to unlock the fan module.

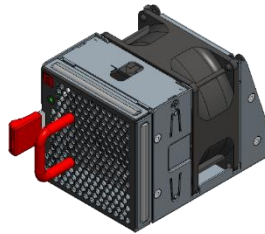


Figure 13.

2. While holding down the release tab, grip the fan handle and gently pull the fan module out of the fan bay.

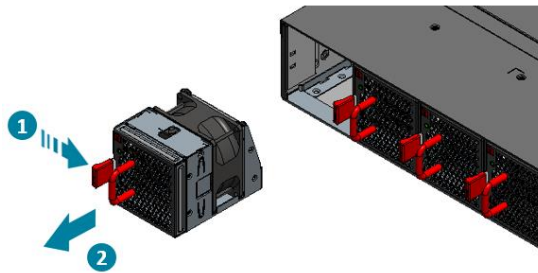


Figure 14.

3. Align the new fan module with the fan bay, ensuring that the fan module's power connector is in the correct position.
4. Carefully slide the new fan module into the fan bay and gently push until it is flush with the case.
5. An audible click will be heard when the fan module is installed correctly. The fan module will not go in all the way if it is installed in the wrong direction.

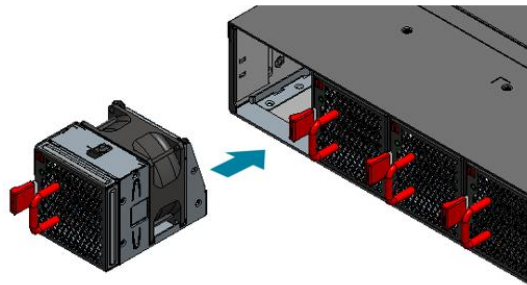


Figure 15.



7 Installing Power Supply Units

The power supply unit (PSU) is a hot swappable field replaceable unit and can be replaced while the router is operating as long as the remaining (second) PSU is installed and in operation. The AC and DC PSU follow the same steps for installation. The PSU comes pre-installed and the following are instructions on how to install a new PSU.



Warning

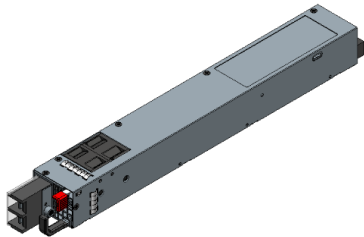
If power input for AC power supply is only 110V, there will only be 1000 watts per power supply and will not be enough power for the power supply to be changed while the router is in operation. In order for AC power supply to be changed while the router is in operation, ensure that 220V power is supplied.



Safety Notices
Caution! Shock hazard!

TO DISCONNECT POWER, REMOVE ALL POWER CORDS FROM UNIT.

DC:



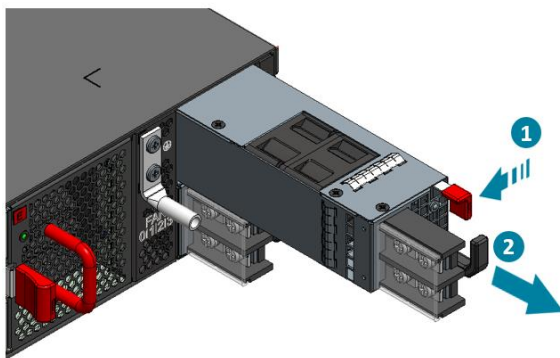
AC:



Figure 16.

1. Locate the release tab on the PSU. Then press and hold down the release tab to unlock the PSU.
2. While holding down the release tab, grip the PSU's handle and firmly pull it out of the power bay.

DC Version:



AC Version:

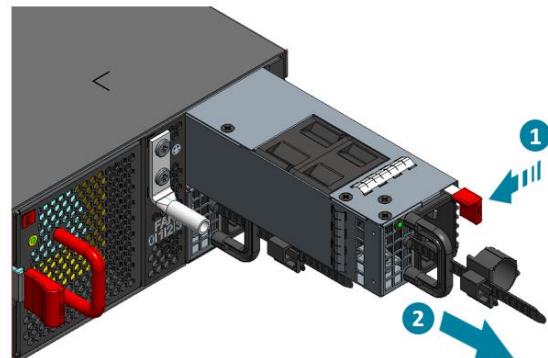
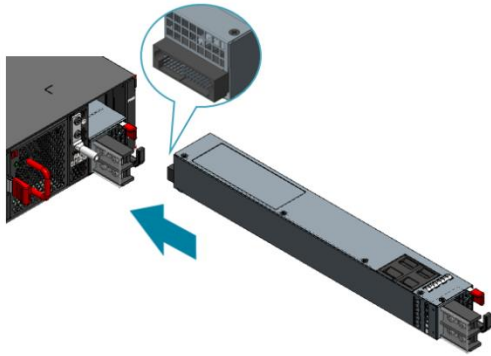


Figure 17.

3. Align the new PSU with the power bay, ensuring the PSU's power connector is in the correct position.
4. Carefully slide the new PSU into the power bay and gently push until it is flush with the case.
5. An audible click will be heard when the PSU is installed correctly. The PSU will not go in all the way if it is in the wrong direction.

DC Version:



AC Version:

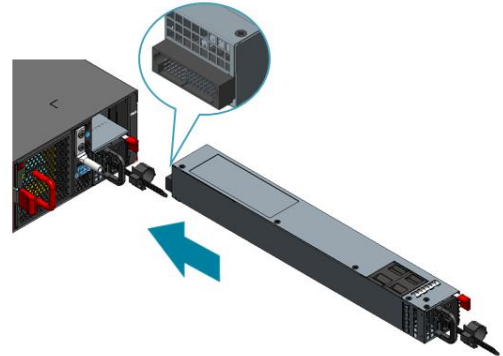


Figure 18.



8 Grounding the Router

It is recommended that equipment changes be done on a grounded rack system. This will reduce or prevent the risk of shock hazards, equipment damage, and potential of data corruption.

The router can be grounded from the router's case and/or the power supply units (PSUs). When grounding the PSUs, ensure that both PSUs are grounded at the same time in case one of them is removed. A grounding lug, M4 screws and washers are provided with the package contents, however, the grounding wire is not included. The location for securing the grounding lug is at the rear of the case and is covered with a protective label.

The following instructions are for installing the grounding lug onto the case.



This equipment must be grounded. Do not defeat the ground conductor or operate the equipment without correctly grounding the equipment. If there is any uncertainty about the integrity of the equipment's grounding, please contact the electrical inspection authority or a certified electrician.

1. Before grounding the router, ensure that the rack is properly grounded and in compliance with local regulatory guidelines. Ensure that there is nothing that can obstruct the connection for grounding and remove any paint or materials that may prevent good grounding contact.
2. Strip the insulation from a size #6 AWG grounding wire (not provided within the package contents), leaving 1.125" +/- 0.02" (28.6 +/- 0.5mm) of exposed grounding wire.
3. Insert the exposed grounding wire all the way into the hole of the grounding lug (provided with package contents).
4. Using a crimping tool, firmly secure the grounding wire to the grounding lug.

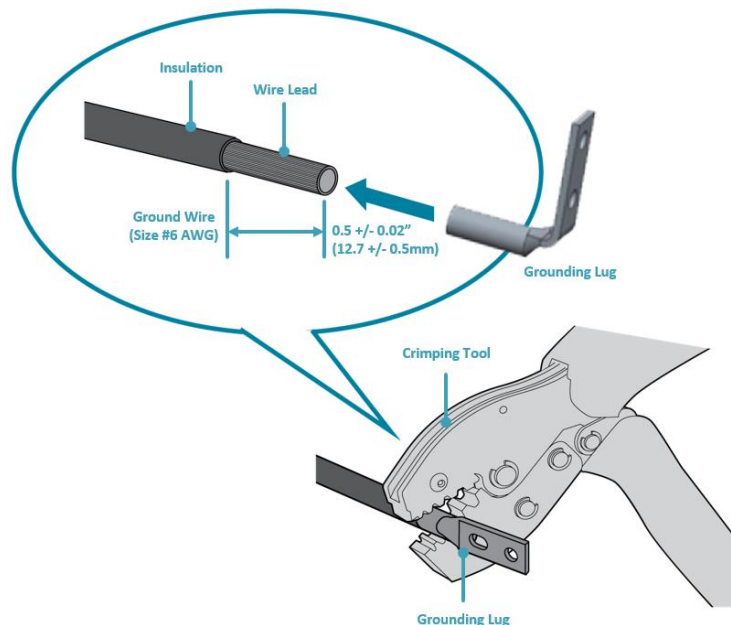


Figure 19.

5. Locate the designated location for securing the grounding lug, which is located on the rear of the router and remove the protective label.

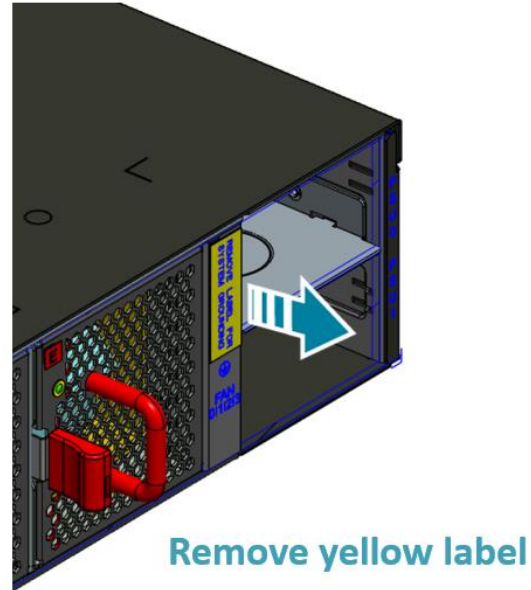


Figure 20.

6. Using 2 M4 screws and 2 washers (provided with the package contents), firmly lock the grounding lug to the designated grounding location on the router.

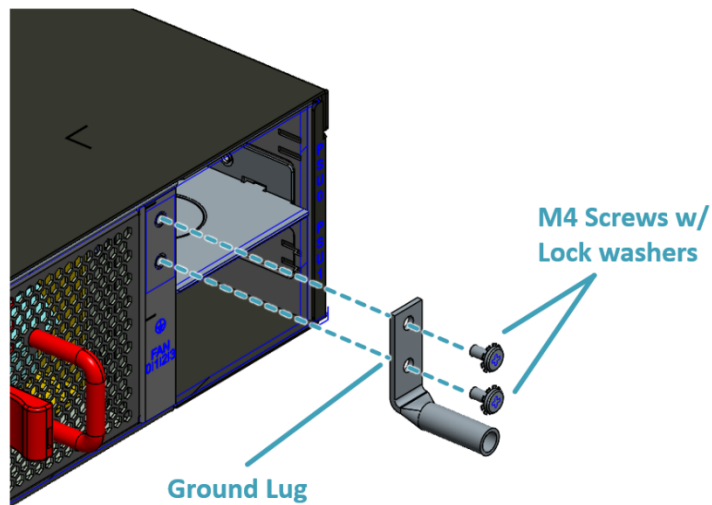


Figure 21.



9 Connecting Power

9.1 DC Version

1. Ensure there is enough power to supply the system.
The maximum system power consumption is 969 watts. It is recommended to ensure that enough power is reserved from the power distribution system before installation. Also, please ensure that both PSUs have been properly installed before powering up the equipment, as the S9700-53DX is designed to support 1 + 1 power redundancy.
2. Attach the DC power cables to the lugs.
The UL 1015, #6 AWG DC power cable (not provided) must be attached to a two-hole lug before connecting to the PSU. The following instructions are for connecting the DC Power Cable to the lug:
 - 2.1 Strip the insulation from a DC Power Cable, leaving 0.5" +/-0.02" (12.7mm +/-0.5mm) of exposed cable
 - 2.2 Insert the exposed DC power cable into the heat shrink tubing, the length of heat shrink tubing should not less than 38.5mm.
 - 2.3 Insert the exposed DC power cable all the way into the hollow tube of the lug (provided with the package contents).
 - 2.4 Using a crimping tool, firmly secure the DC power cable to the lug. It is recommended to not crimp exceeding the lines indicated on the lug, which is also depicted as the cross-section area in the picture on the below.

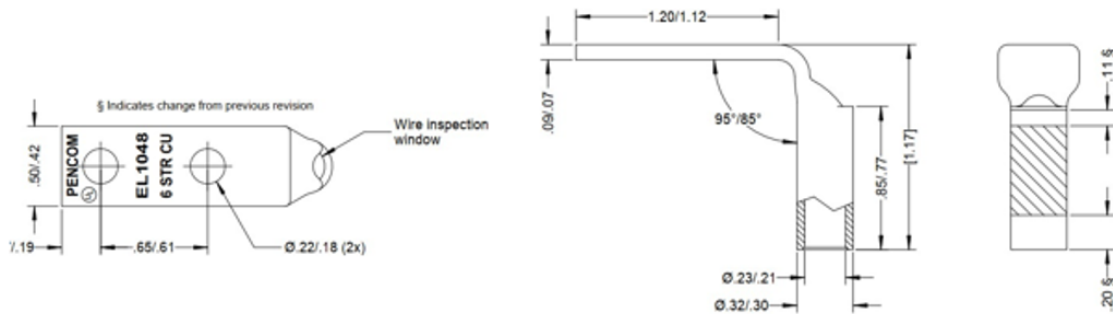


Figure 22.

2.5 Move the heat shrink tubing to cover any exposed metal on the DC power cable and lug.

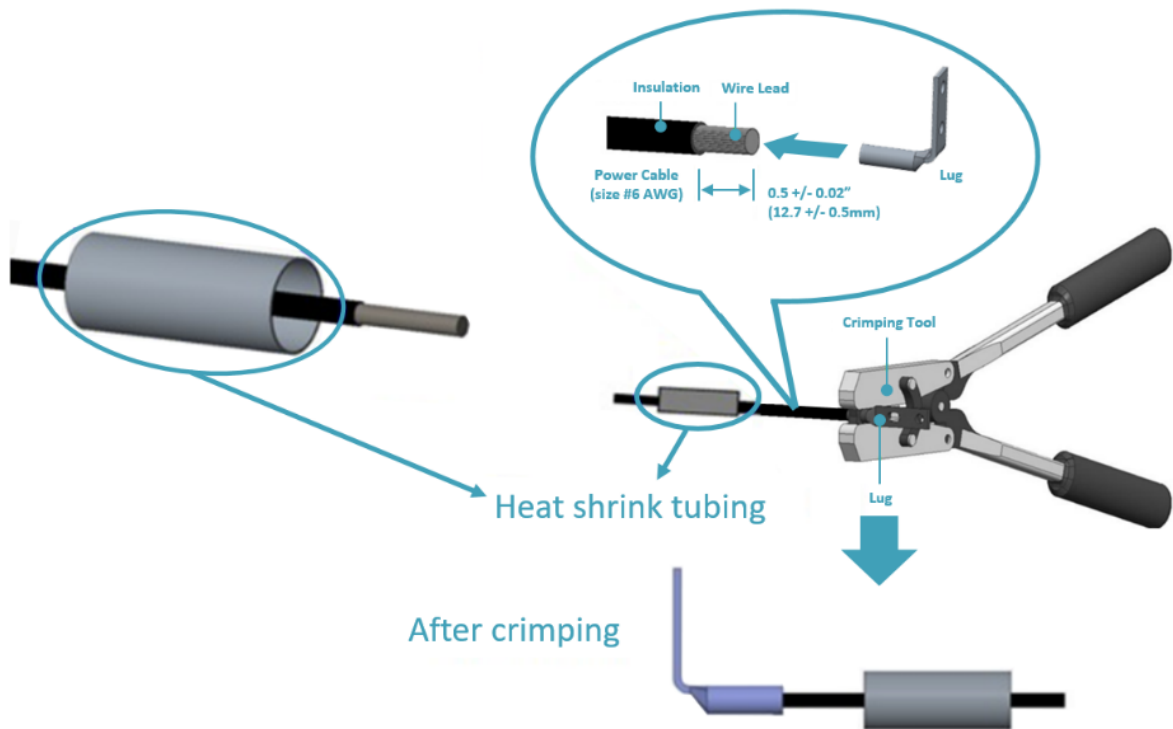


Figure 23.

2.6 Use a heat source to secure the heat shrink tubing in place. Allow the heat shrink tubing to cool before attaching the DC power cable. An example of the installed DC version with insulation material as below.

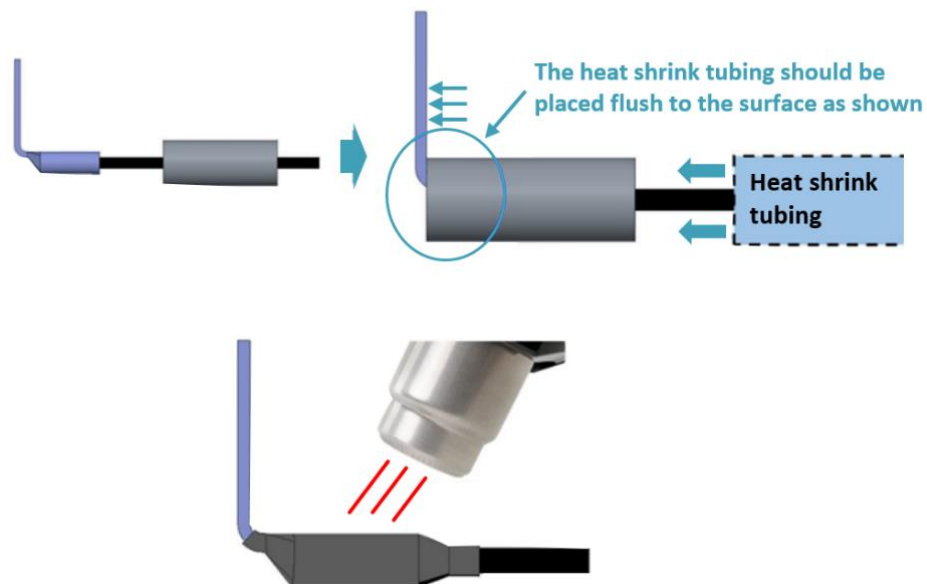


Figure 24.

3. Attach the power cable.

Locate the DC power screw-type terminal block located on the PSU. Remove the plastic cover that is protecting the terminal block by pushing from the top or bottom of the cover and flipping open the cover outwards. Secure the two-hole lug (with the DC power cable attached) to the terminal block as depicted in the following figure.

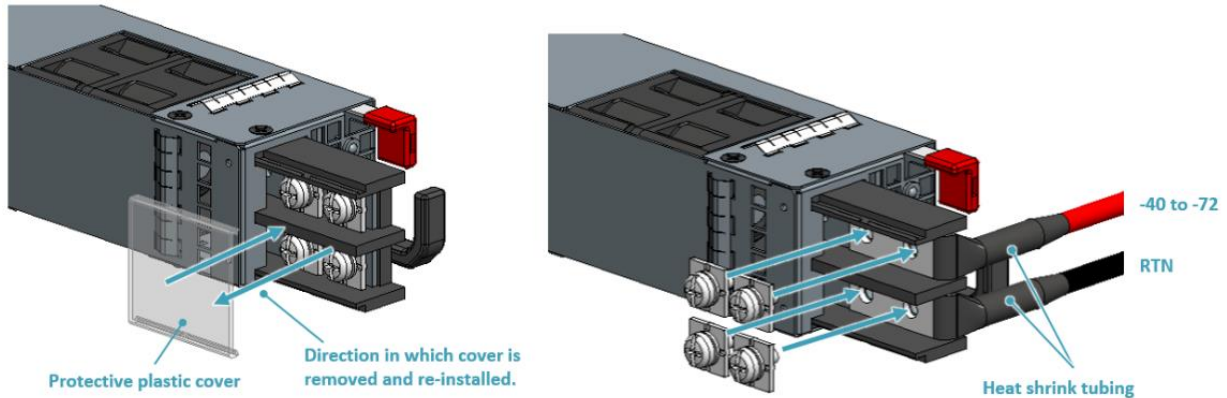


Figure 25.

4. Tighten the screws to the specified torque.

Tighten the screws to a torque value of 14.0 ± 0.5 kgf.cm. If the torque is not enough, the lug will not be secure and may cause malfunctions. If the torque is too much, the terminal block or lug may be damaged. Secure the plastic cover back onto the terminal block. The figure below depicts how it should look once the lug is attached and the protective plastic cover reinstalled.

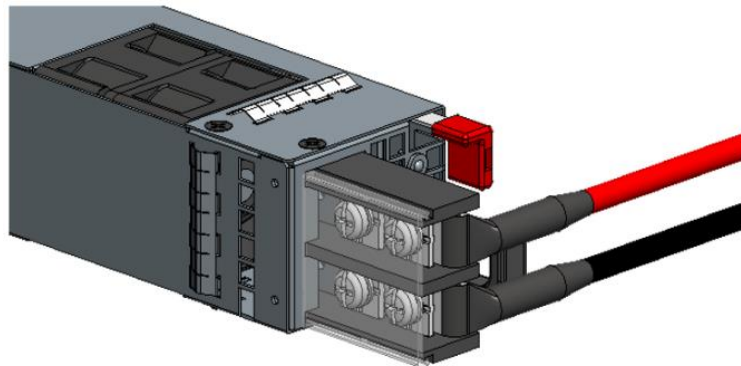


Figure 26.

5. Feed DC power into the system.

The PSU will immediately output 12V and 5VSB to the system with a -40V to -72V DC power source. The PSU has a built in 80 amperes fast acting fuse based on the PSU maximum capacity, which will act as a second tier system protection in case the power distribution unit's fuse is not functioning.

6. Verify that the power supply is operating.

If connected correctly, when turned on, the LED on the PSU will light up with a Green color designating normal operation.

9.2 AC Version

1. Ensure there is enough power to supply the system.
The maximum system power consumption is 969 watts. It is recommended to ensure that enough power is reserved from the power distribution system before installation. Also, please ensure that both PSUs have been properly installed before powering up the equipment, as the S9700-53DX is designed to support 1 + 1 power redundancy.
2. Attach the power cable.
Locate the AC inlet connector on the PSU and plug the AC power cable (250VAC 15A, IEC60320 C19) into the AC inlet connector.
3. Feed AC power into the system.
The PSU will immediately output 12V & 5VSB to the system with a 200V to 240V, AC power source. The PSU has a built-in 15 amperes, fast acting fuse based on the PSU maximum capacity, which will act as a second tier system protection in case the power distribution unit's fuse is not functioning.
4. Verify that the power supply is operating.
If connected correctly, when turned on, the LED on the PSU will light up with a solid Green color designating normal operation.



Note

If only a 110V AC power source is available, the S9700-53DX can still be powered with both PSUs providing 1000 watts each for a total output of 2000 watts. However, in this case, if one PSU stops functioning, the power output would be inefficient to sustain the router's operation.



10 Verifying System Operation

10.1 Front Panel LED

Verify basic operations by checking the system LEDs located on the front panel. When operating normally, the SYS, FAN, PS0 and PS1 LEDs should all display green.

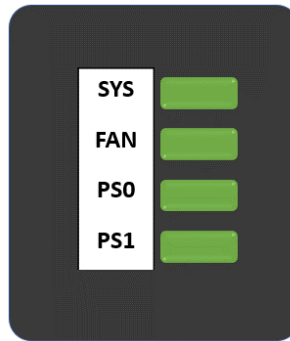


Figure 27.

LED Condition	Equipment Status
SYS	
OFF	No power
Solid Green	Host CPU/BMC is up
Blinking Green	Reserved
Solid Amber	Power is up but Host CPU/BMC boot failed
Blinking Amber	Reserved
FAN	
OFF	No Fan modules present or FAN modules are not initialized
Solid Green	All Fan modules are working well
Blinking Green	Reserved
Blinking Amber	Fan failed: one or more fans need service
PS0	
OFF	No Power
Solid Green	PSU 0 is working well
Blinking Green	Reserved
Solid Amber	PSU 0 fail (PSU0 need service)
Blinking Amber	Reserved
PS1	
OFF	No Power
Solid Green	PSU 1 is working well
Blinking Green	Reserved
Solid Amber	PSU 1 fail (PSU1 need service)
Blinking Amber	Reserved

10.2 PSU FRU LED

Additional information about PSU status can be obtained by the LEDs located on the PSU itself.

LED Condition	Equipment Status
Off	No input power to all power supplies.
Green	Output ON and OK
Blinking Green (1/sec)	PSU standby state input power present / Only +5VSB on.
Blinking Green (2/sec)	Power supply firmware updating (Boot-loader mode).
Red	Power supply critical event causing a shutdown, failure, over current, short circuit, over voltage, fan failure, and/or over temperature.
Blinking Red (1/sec)	Input power cord unplugged or input power lost with a second power supply in parallel still with AC input power.
Blinking between Green and Red	Power supply warning events where the power supply continues to operate; high temp, high power, high current, and/or slow fan.

10.3 Fan FRU LED

Additional information about fan status can be obtained by the LEDs located on the fan itself.

LED Condition	Equipment Status
Off	No input power to all power supplies
Green	Fan FRU function normal
Amber	Fan FRU abnormal, service is required

10.4 Management port LED

LED Condition	Equipment Status
Left LED	
Off	1G no link
Solid Green	1G link-up
Blinking Green	1G TX/RX activity
Right LED	
Off	No activity
Solid Amber	10M/100M link-up
Blinking Amber	10M/100M TX/RX activity



11 Initial System Setup

Establishing a first-time serial connection.

To assign an IP address, you must have access to the command line interface (CLI). The CLI is a text-based interface that can be accessed through a direct serial connection to the router.

Access the CLI by connecting to the console port. After you assign an IP address, you can access the system through Telnet or SSH by Putty, TeraTerm or HyperTerminal.

Perform the following steps to access the router through a serial connection:

1. Connect the console cable.

- The console can be connected either with the RJ45 port or the micro USB port, both labelled IOIO. If connecting with micro USB, drivers will need to be installed.
- To connect the console using the RJ45 port, locate the RJ45 port labelled IOIO, then plug a serial cable into the console port and connect the other end to the computer. Cable types may vary depending on the router model.

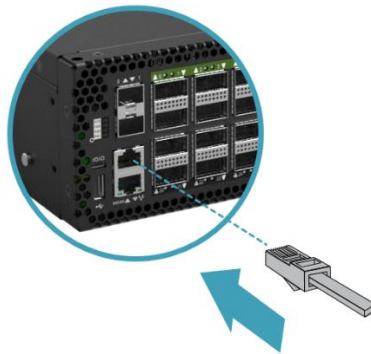


Figure 28.

- To connect the console using the micro USB port, locate the port on the front panel of the router, then connect your computer using the micro USB cable provided in the packaging contents. Download the suitable driver for your operating system (OS) using the URL below:
 - <https://www.silabs.com/products/development-tools/software/usb-to-uart-bridge-vcp-drivers>
 - <https://www.silabs.com/> and search for CP210X

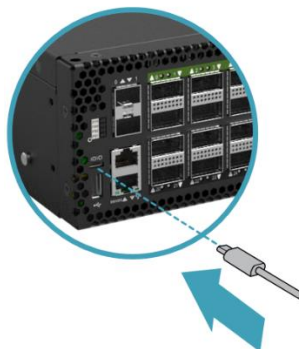


Figure 29.

2. Check for serial control availability.
Disable any serial communication programs running on the computer such as synchronization programs to prevent interference.
3. Launch a terminal emulator.
Open a terminal emulator application such as HyperTerminal (Windows PC), Putty or TeraTerm and configure the application. The following settings are for a Windows environment (other operating systems may vary):
 - Baud rate: 115200 bps
 - Data bits: 8
 - Parity: None
 - Stop bits: 1
 - Flow control: None
4. Login to the device.
After the connection is established, a prompt for the username and password displays. Enter the username and password to access the CLI. The username and password should be provided by the Network Operating System (NOS) vendor.



12 Cable Connections

12.1 Connecting the USB Extender Cable

Connect the USB 2.0 A Type plug (male connector) into the USB port (female connector) located on the front panel of the router.



Figure 30.

12.2 Connecting the Transceiver



Note

To prevent over tightening and damaging the optic fibers, it is not recommended to use tie wraps with optical cables.

Read the following guidelines before connecting the transceiver:

- Before installing the router, take into consideration rack space requirements for cable management and plan accordingly.
- It is recommended to use hook-and-loop style straps to secure and organize the cables.
- For easier management, label each fiber-optic cable and record its respective connection.
- Maintain a clear line of sight to the port LEDs by routing the cables away from the LEDs.



Caution

Before connecting anything (cables, transceivers, etc.) to the router, please ensure to discharge any static electricity that may have built up during handling. It is also recommended the cabling be done by a professional who is grounded, such as by wearing an ESD wrist strap.

The following the steps below for connecting a transceiver.

1. Remove the new transceiver from its protective packaging.
2. Remove the protective plug from the transceiver itself.
3. Place the bail (wire handle) in the unlocked position and align the transceiver with the port.
4. Slide the transceiver into the port and gently push until it is secured in place. An audible click can be heard when the transceiver is secured in the port.



13 Cautions and Regulatory Compliance Statements

13.1 Cautions and Regulatory Compliances



Safety Notices

Caution! Shock hazard!

TO DISCONNECT POWER, REMOVE ALL POWER CORDS FROM UNIT.



Electrical Hazard: Only qualified personnel should perform installation procedures.

Risques d'électrocution: Seul un personnel qualifié doit effectuer les procédures d'installation.



Warning: Network Switch power supplies do not have switches for turning the unit on and off. Before servicing, disconnect all power cords to remove power from the device. Make sure that these connections are easily accessible.

Avertissement: Network Switch alimentations ne sont pas des interrupteurs pour allumer l'appareil et en dehors. Avant l'entretien, débranchez tous les cordons d'alimentation pour couper l'alimentation de l'appareil. Assurez-vous que ces connexions sont facilement accessibles.



Caution: Before mounting the device, ensure that the rack can support it without compromising stability. Otherwise, personal injury and/or equipment damage may result.



Caution: This unit must be installed indoors. The unit, AC power supplies, DC power supplies, and its cables are not designed for outdoor use.



Caution: Follow appropriate ESD procedures when unpacking and handling the switch. These include unpacking the switch in an ESD-safe environment and wearing appropriate ESD protective gear, such as ESD-safe footwear and ESD wrist straps where appropriate.



Caution: Use of controls or adjustments or performance of procedures other than those specified herein may result in hazardous radiation exposure.



Warning: Do not use optical instruments to view the laser output. The use of optical instruments to view laser output increases eye hazard. Use only UL/CSA, IEC/EN60825-1/-2 recognized pluggable modules.

Avertissement: Ne pas utiliser d'instruments optiques pour voir la sortie du laser. L'utilisation de instruments optiques pour afficher la sortie laser augmente les risques oculaires. Utilisez uniquement UL/CSA, IEC/EN60825-1 /-2 reconnu modules enfichables.

Federal Communications Commission (FCC) Notice

This device complies with Part 15 of FCC rules. Operation is subject to the following two conditions: (1) this device may not cause harmful interference, and (2) this device must accept any interference received, including interference that may cause undesired operation.



Note

This equipment has been tested and found to comply with the limits for a class A digital device, pursuant to Part 15 of the FCC rules. These limits are designed to provide reasonable protection against harmful interference when the equipment is operated in a commercial environment. This equipment uses, generates, and can radiate radio frequency energy and if not installed in accordance with the operator's manual, may cause harmful interference to radio communications. Operation of this equipment in a residential area is likely to cause interference in which case the user will be required to correct the interference at his own expense.



Warning

Changes or modifications made to this device which are not expressly approved by the party responsible for compliance could void the user's authority to operate the equipment.

Industry Canada Notice

CAN ICES-003 (A)/NMB-003(A)

This digital apparatus does not exceed the class A limits for radio noise emissions from digital apparatus set out in the Radio Interference Regulations of the Canadian Department of Communications.

Le présent appareil numérique n'émet pas de bruits radioélectriques dépassant les limites applicables aux appareils numériques de la class A prescrites dans le Règlement sur le brouillage radioélectrique édicté par le ministère des Communications du Canada

Class A ITE Notice



Warning

This equipment is compliant with Class A of CISPR 32. In a residential environment this equipment may cause radio interference.

VCCI Notice

This is a Class A product based on the standard of the Voluntary Control Council for Interference by Information Technology Equipment (VCCI). If this equipment is used in a domestic environment, radio disturbance may arise. When such trouble occurs, the user may be required to take corrective actions.

この装置は、クラスA機器です。この装置を住宅環境で使用すると電波妨害を引き起こすことがあります。この場合には使用者が適切な対策を講ずるよう要求されることがあります。

VCCI - A


警告使用者：

此為甲類資訊技術設備，於居住環境中使用時，可能會造成射頻擾動，在此種情況下，使用者會被要求採取某些適當的對策。

此为A级产品，在生活环境中，该产品可能会造成无线电干扰。

在这种情况下，可能需要用户对干扰采取切实可行的措施。

Installation Location Statement

 Note	<p>It is recommended that the device be installed only in a server room or computer room where access is:</p> <ul style="list-style-type: none">➤ Restricted to qualified service personnel or users familiar with restrictions applied to the location, reasons therefore, and any precautions required.➤ Only afforded by the use of a tool or lock and key, or other means of security, and controlled by the authority responsible for the location. <p>Suitable for installation in Information Technology Rooms in accordance with Article 645 of the National Electrical Code and NFPA 75.</p>
-----------------------------------------------------------------------------------------------	------------------------------------------------------------------------------------------------------------------------------------------------------------------------------------------------------------------------------------------------------------------------------------------------------------------------------------------------------------------------------------------------------------------------------------------------------------------------------------------------------------------------------------------------------------------------------------------------------------------------------

Cautions and regulatory compliance statements for NEBS:

<ul style="list-style-type: none">• “Suitable for installation as part of the Common Bonding Network (CBN)”• “An external Surge Protection Device (SPD) must be used with AC powered equipment and that the Surge Protection Device is to be installed at the AC power service entrance.”• “System can be installed in Network Telecommunications Facilities where the National Electric Code applies”• The approximate system boot time when the AC (or DC) power source is connected is 110 secs in Ubuntu Linux system. (The boot up time would depend on different NOS system)• The approximate link time for the OOB Ethernet port when reconnected is 40 secs base on Ubuntu Linux system (The link time would depend on different NOS system)• The design of the equipment is that the RTN terminal should be isolated from the chassis or rack. (The DC input terminals is DC-I (Isolated DC return))• “WARNING: The intra-building port OOB (Ethernet) of the equipment or subassembly is suitable for connection to intra-building or unexposed wiring or cabling only. The intrabuilding port(s) of the equipment or subassembly MUST NOT be metallicity connected to interfaces that connect to the OSP or its wiring for more than 6 meters (approximately 20 feet). These interfaces are designed for use as intra-building interfaces only (Type 2, 4, or 4a ports as described in GR-1089) and require isolation from the exposed OSP cabling. The addition of Primary Protectors is not sufficient protection in order to connect these interfaces metallicity to an OSP wiring system.”

The logo for ufiSpace, featuring the lowercase letters 'ufi' in a bold, sans-serif font, followed by a colon, and then the word 'Space' in a larger, bold, sans-serif font. The entire logo is white and centered on a dark red background.

ufiSpace

Unifying Cloud & Carrier Networks

www.ufispace.com