



S9500-22XST

Disaggregated Cell Site
Gateway Router

Hardware Installation Guide

R1.6





Table of Contents

1	Overview	1
2	Preparation	2
2.1	Installation Tools	2
2.2	Installation Environment Requirements	3
2.3	Preparation Check List	4
3	Package Contents	5
3.1	Accessory List	5
3.2	Component Physical Information	6
4	Identifying Your System	7
4.1	S9500-22XST Overview	7
4.2	DC Version PSU Overview	8
4.3	AC Version PSU Overview	8
4.4	Fan Overview	9
4.5	Port Overview	9
5	Rack Mounting	10
6	Installing Fan Modules	11
7	Installing Power Supply Units	12
8	Grounding the Router	14
9	Connecting Power	16
9.1	DC Version	16
9.2	AC Version	17
10	Verifying System Operation	18
10.1	Front Panel LED	18
10.2	PSU FRU LED	19
10.3	Fan FRU LED	19
10.4	Management port LED	19
11	Initial System Setup	20
12	Cable Connections	22
12.1	Connecting the USB Extender Cable	22
12.2	Connecting a Cable to the ToD Interface	22

12.3	Connecting a Cable to the BITS Interface.....	23
12.4	Connecting the GNSS Interface	23
12.5	Connecting the 1PPS Interface.....	24
12.6	Connecting the 10MHz Interface	24
12.7	Connecting the Transceiver.....	25
12.8	Installing an Antenna.....	25
13	Cautions and Regulatory Compliance Statements	27



1 Overview

The UfiSpace S9500-22XST is a high-performance, versatile open networking white box router that is designed to address the changing needs of backhaul transport requirements as Telecoms make the transition from legacy technologies towards 5G.

It enables telecoms and service providers to deploy disaggregated open network infrastructure to lower costs and rapidly scale existing services for edge computing, mobile backhaul, and broadband access applications.

The S9500-22XST is future-proofed with a powerful 4-core processor, 1GE/10GE/25GE/100GE interfaces, and full timing features supporting IEEE 1588v2 and SyncE, which enables service providers to easily migrate from 2G, 3G, 4G BBUs to 5G RAN. It is suitable for both indoor and outdoor deployments with redundant, hot swappable components for convenience, increased availability, reliability and lower costs of maintenance

This document describes the hardware installation process for S9500-22XST.



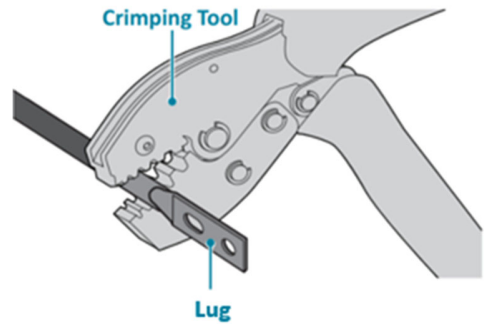
2 Preparation

2.1 Installation Tools

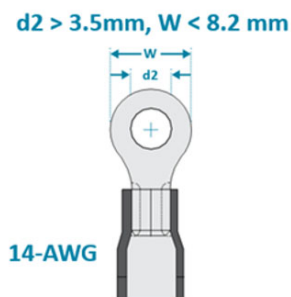


Screwdriver (Phillips head #2)

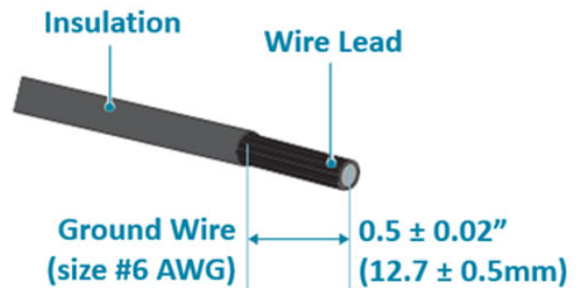
Phillips #2 Screw Driver



Crimping Tool



14-AWG wire with ring terminal for DC power supply



6-AWG green-and-yellow wire for grounding



Wire-stripping tools for stripping 6-AWG copper wire

Console cable

- PC with terminal emulation software. Refer to the "Initial System Setup" section for details.
 - Baud rate: 115200 bps
 - Data bits: 8
 - Parity: None
 - Stop bits: 1
 - Flow control: None

2.2 Installation Environment Requirements

- Power Reserve: The S9500-22XST power supply is available with:
 1. **DC Version:** 1+1 active-active -36 to -75V DC power supply field replaceable unit or;
 2. **AC Version:** 1+1 active-active universal 100 to 240V AC power supply field replaceable unit.

To ensure the active-active feed power design functions properly, a field with dual power circuit is recommend with a reserve of at least 200 watts on each power circuit.

- Space Clearance: The S9500-22XST width is 17.32 inches (44cm) and shipped with a rack mount brackets suitable for 19 inch (48.3cm) wide racks and adjustable mounting rails are provided for rack depths of 22 inches (55.9cm) to 33 inches (83.8cm). The depth of the S9500-22XST chassis is 11.89 inches (30.2cm) without the field replaceable units (FRUs). The handle for the fan units will extend outwards by 1 inch (2.5cm) and the handle for the power supplies will extend outwards by 1.06 inches (2.7cm). To accommodate the air inlet and front cabling, a recommended minimum space clearance of 6 inches (15.2cm) for the front of the unit. To accommodate the fan handle, it is recommended that a minimum space clearance of 1 inch (2.5cm) for the back of the unit. A total minimum reserve depth of 18.89 inches (47.9cm) is required.

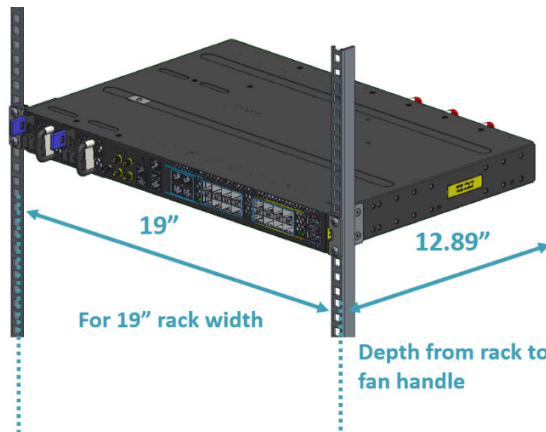


Figure 1.

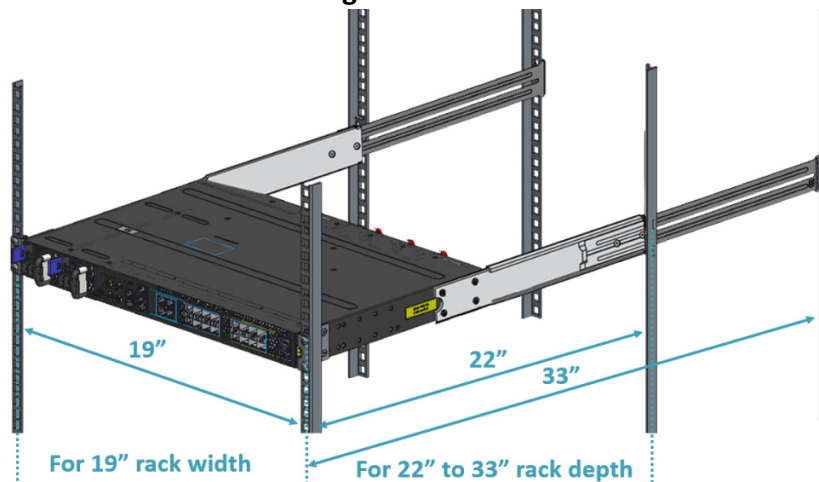


Figure 2.

- Cooling: The S9500-22XST airflow direction is front-to-back. Make sure the equipment on the same rack have the same airflow direction.

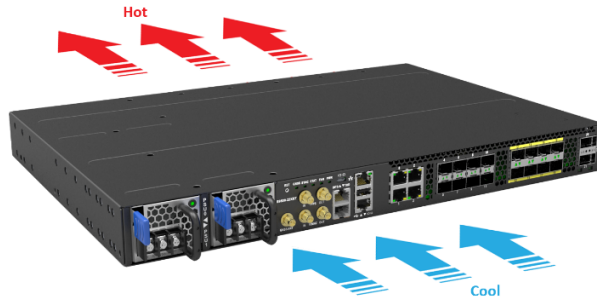


Figure 3.

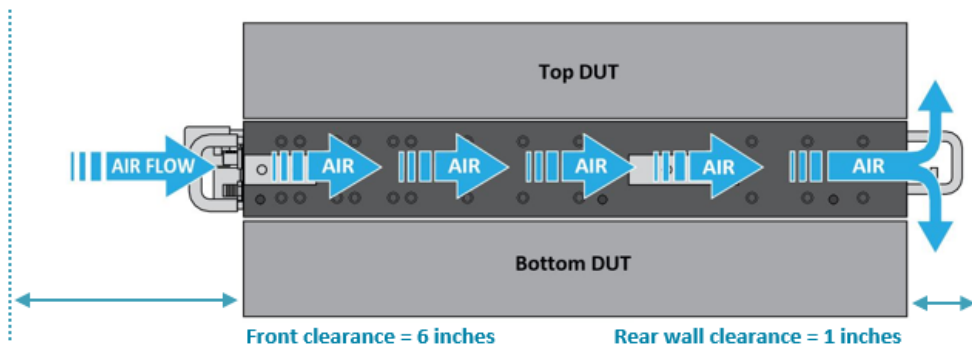


Figure 4.

2.3 Preparation Check List

Task	Check	Date
Power voltage and electric current requirement DC version: -36 to -75V DC, 8A maximum x2 or; AC version: 100 to 240V, 3A maximum x2		
Installation spacing requirement S9500-22XST spacing requires a height of 1RU (1.75"/4.5cm), a width of 19" (48.3cm) in width, and a depth of 18.89 inches (47.9cm)		
Thermal requirement S9500-22XST working temperature is -40 to 65°C (-40°F to 149°F), airflow direction is front-to-back		
Installation tools required #2 Philips Screwdriver, 6-AWG wire stripper, and crimping tool		
Accessories required PC with terminal emulation software, console cable, 14-AWG wire with ring terminal for power, 6-AWG wire for grounding		



3 Package Contents

3.1 Accessory List

Item	Description	Spec. & Dimensions	Qty.	Weight
1	Grounding Lug	1.97" x 0.44" x 0.3" (#6 AWG) (50 x 11.1 x 7.5mm)	1 pcs	0.02lb (10g)/pcs
2	Screw Kit (for Grounding Lug)	2 x Screws M4*L8.0mm 4 x M4 Lock Washers	1 set	0.008lb (3.5g)/set
3	Rack Mount Bracket	1.98" x 1.69" x 0.79" (19" width rack) (50.4 x 43 x 20mm)	2 pcs	0.14lb (65.4g)/2pcs (0.07lb (32.7g)/pcs)
4	Screw Kit (for Rack Mount Bracket)	8 x Screws M4.0*L6.5mm	1 set	0.02lb (7g)/set
5	Adjustable Mounting Rail (for 4 posts)	16.02" x 1.69" x 0.83" (406.8 x 43 x 21mm) (for 22" to 33" rack depth)	2 set	1.39lb (630g)/2 set (0.69lb (315g)/set)
6	Screw Kit (for Adjustable Mounting Rail)	8 x Screws M4.0*L6.5mm	1 set	0.02lb (7g)/set
7	USB 2.0 Type A Cable	7.87" (200mm)	1 pcs	0.02lb (10.5g)/pcs
8	AC Power Cord (AC version only)	72.05" (1830mm)	2 pcs	0.91lb (414g)/2 pcs (0.46lb (207g)/pcs)
9	RJ45 to DB9 Female Cable	95.98" (2438mm)	1 pcs	0.23lb (105g)/pcs
10	SMA to BNC Cable	11.81" (300mm)	2 pcs	0.02lb (10.5g)/pcs

3.2 Component Physical Information

Specification	Item	Description
Weight	Total package contents	22.07lb (10.01kg)
	Chassis without FRU	10.47lb (4.75kg)
	Power Supply Unit (PSU)	DC PSU : 1.48lb (672.2g)
		AC PSU: 1.58lb (716g)
	Fan	0.20lb (90g)
	Ground lug	0.022lb (10g)
	Rack mount bracket	0.07lb (32.7g)
	Adjustable mounting rail	0.69lb (315g)
	USB cable	0.02lb (10.5g)
	AC Power cord (AC version only)	0.46lb (207g)
	RJ45 to DB9 Female Cable	0.23lb (105g)
	Screw kit for ground lug	0.008lb (3.5g)
	Screw kit for rack mount bracket and adjustable mounting rail	0.02lb (7g)
	Dimension	S9500-22XST (W x D x H)
PSU (W x D x H)		1.99" x 8.31" x 1.58" (50.5 x 211 x 40.2mm)
Fan (W x D x H)		2.03" x 2.28" x 1.66" (51.5 x 57.8 x 42.2mm)



4 Identifying Your System

4.1 S9500-22XST Overview

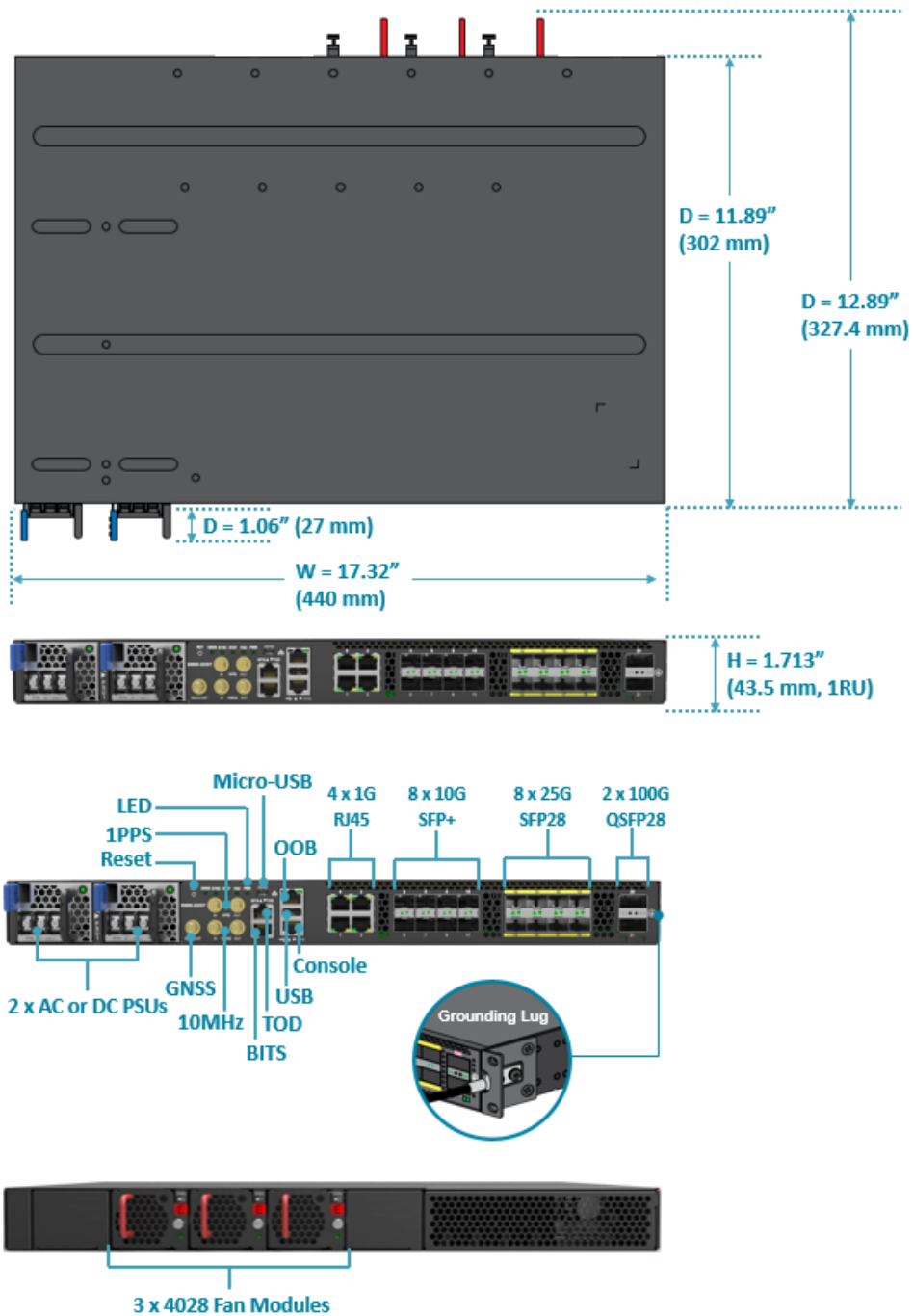


Figure 5.

4.2 DC Version PSU Overview

Power supply unit (PSU) with 1+1 redundancy. Hot swappable, field replaceable unit (FRU).

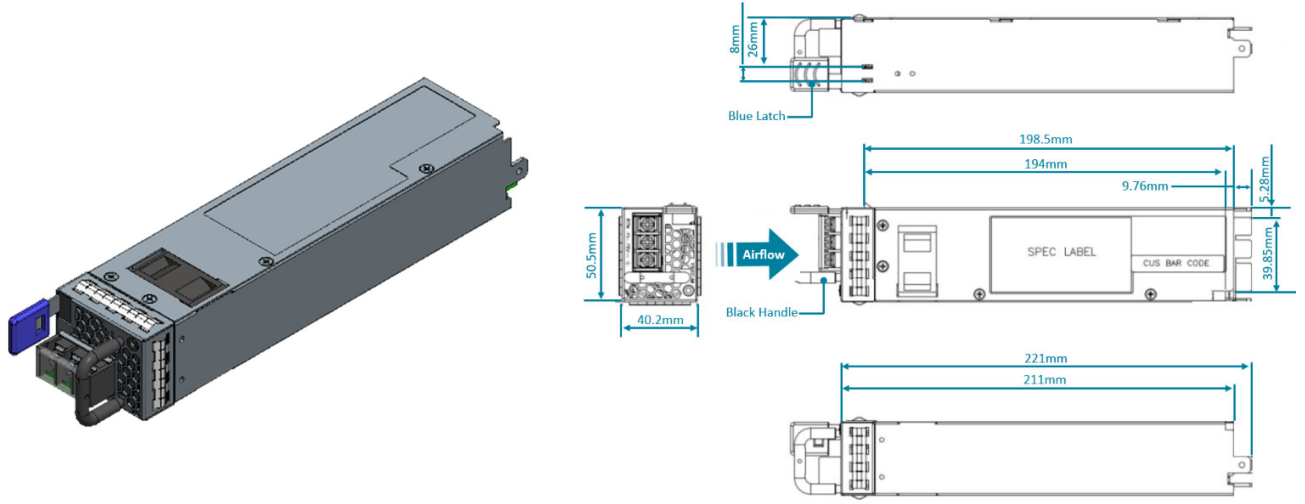


Figure 6.

4.3 AC Version PSU Overview

Power supply unit (PSU) with 1+1 redundancy. Hot swappable, field replaceable unit (FRU).

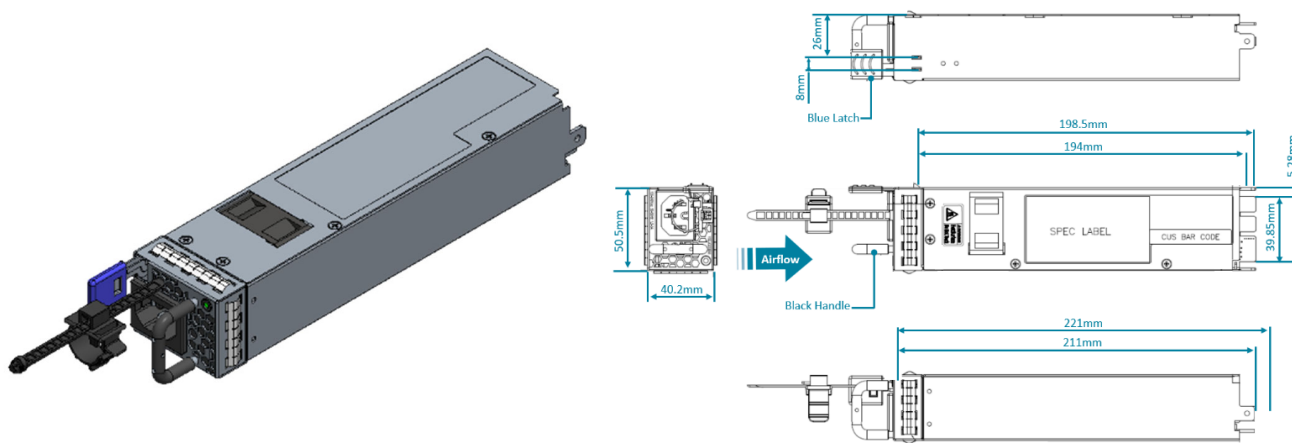


Figure 7.

4.4 Fan Overview

2+1 Redundant, hot swappable, field replaceable unit (FRU).



Figure 8.

4.5 Port Overview

Port ID	Form Factor	Maximum Support Distance	Support Speed
0 ~ 3	RJ45	238.01ft (100m)	100M/1G
4 ~ 11	SFP+	49.7mi (80km)	1G/10G
12 ~ 19	SFP28	24.85mi (40km)	10/25G
20 ~ 21	QSFP28	24.85mi (40km)	40/100G



Figure 9.



5 Rack Mounting



It is recommended that installation be done by two trained professionals. One individual should hold the equipment in position on the rack while the other secures it in place.

1. Secure the rack mount brackets onto the router.
Align the rack mount brackets with the holes provided on the both sides of the case and secure the brackets using the 8 M4.0*L6.5mm screws provided with the package.



Figure 10.

2. Secure the router onto the rack posts.
Mark the location on both posts to ensure it is leveled before securing the router onto the rack. (See Figure 11). For a 4 post rack, first secure the adjustable mounting rail to the back of the router using the M4.0*L6.5mm screws provided in the package. Then secure the adjustable mounting rail to the rack posts. (See Figure 12).



Note

Illustrations are for reference purposes only. Actual scenario may differ. Screws for rack posts not included.

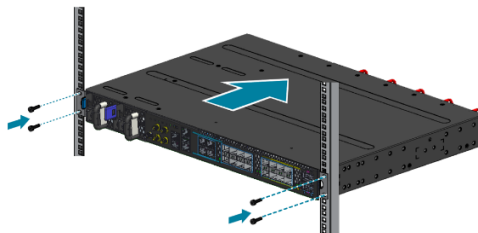


Figure 11.

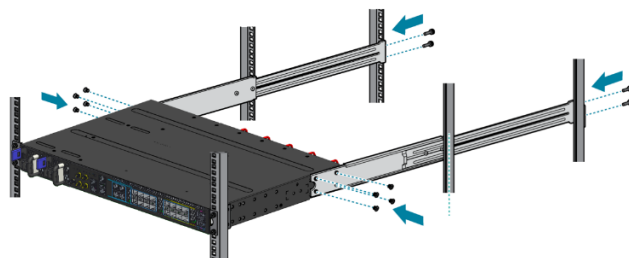


Figure 12.



6 Installing Fan Modules

The fan modules are hot swappable field replaceable units (FRUs), which can be replaced while the router is operating as long as all the remaining modules are installed and in operation. The fans come pre-installed and the following steps are instructions on how to install a new fan module.

1. Loosen the captive screw located on the fan module.

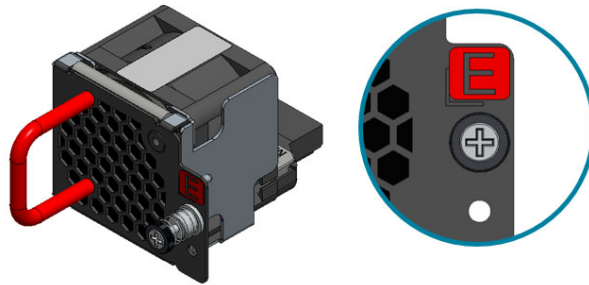


Figure 13.

2. Grip the fan's handle and firmly pull it out of the fan bay.

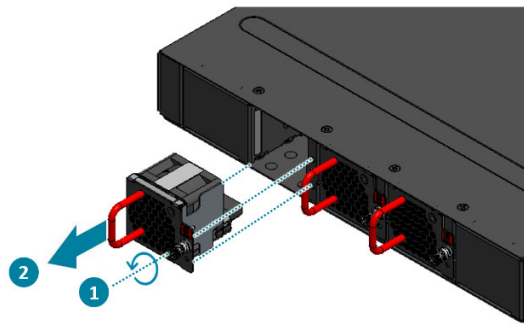


Figure 14.

3. Align the new fan module with the fan bay.
4. Carefully slide the new fan module into the fan bay and gently push until it is flush with the case.
5. Secure the captive screw on the fan module to lock the fan in place.

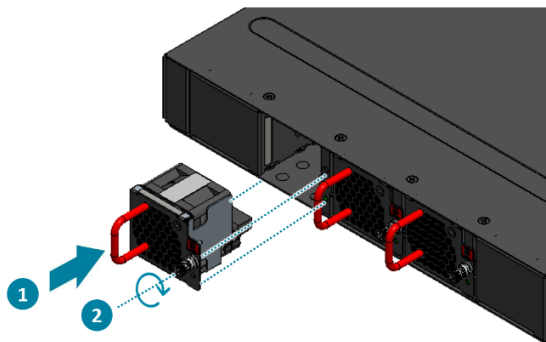


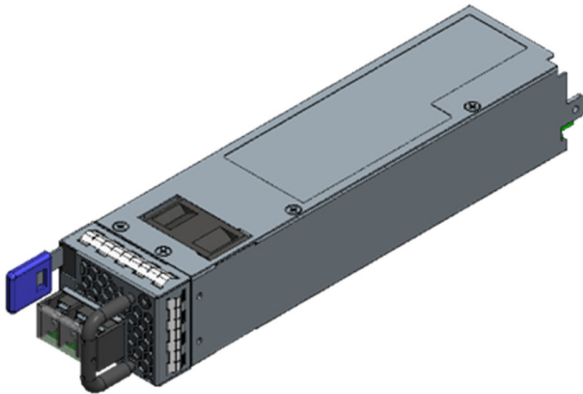
Figure 15.



7 Installing Power Supply Units

The power supply unit (PSU) is a hot swappable field replaceable unit (FRU) and can be replaced while the router is operating as long as the remaining (second) PSU is installed and in operation. The PSUs comes pre-installed and the following are instructions on how to install a new PSU.

DC Version:



AC Version:

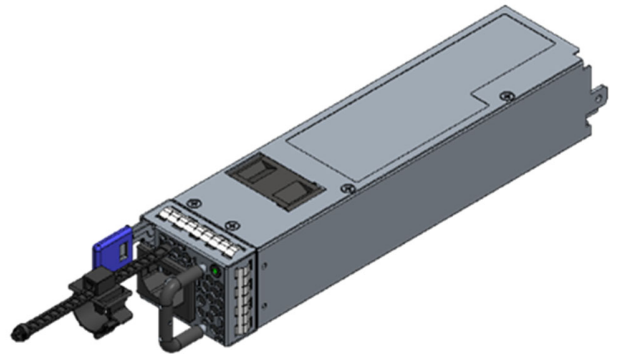


Figure 16.



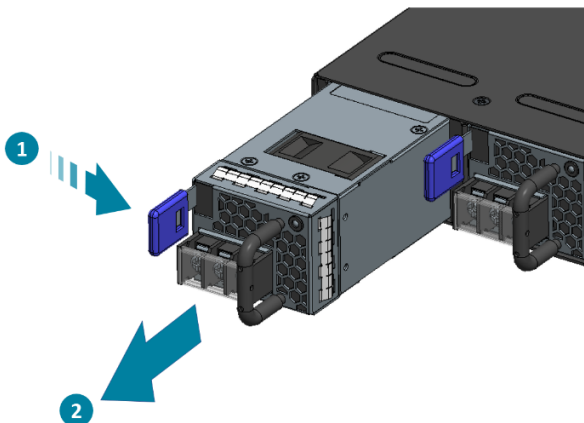
Caution

Shock hazard!

For safety, please disconnect all power inputs from the power supply unit before servicing the router.

1. Locate the release tab on the PSU. Then press and hold down the release tab to unlock the PSU from the power bay.
2. While holding down the release tab, grip the PSU's handle and firmly pull it out of the power bay.

DC Version:



AC Version:

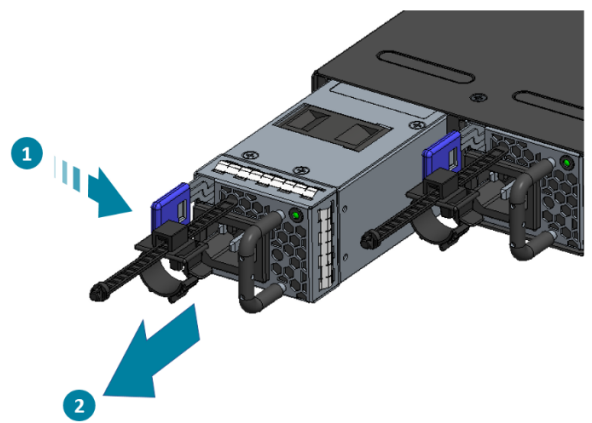


Figure 17.

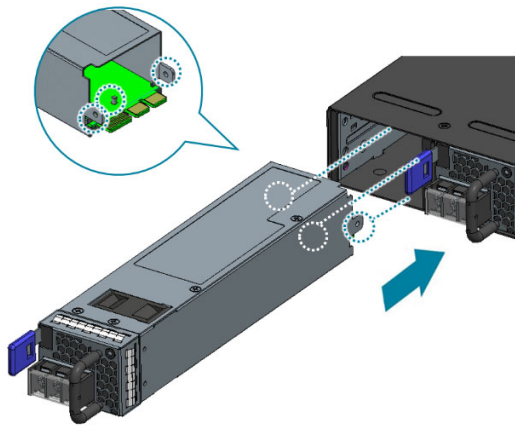
3. Align the new PSU with the power bay, ensuring the PSU's power connector is in the correct position.
4. Carefully slide the new PSU into the power bay and gently push until it is flush with the case.
5. An audible click will be heard when the PSU is installed correctly. The PSU will not go in all the way if it is in the wrong direction.



Note

Illustrations are for reference purposes only. Actual scenario may differ.

DC Version:



AC Version:

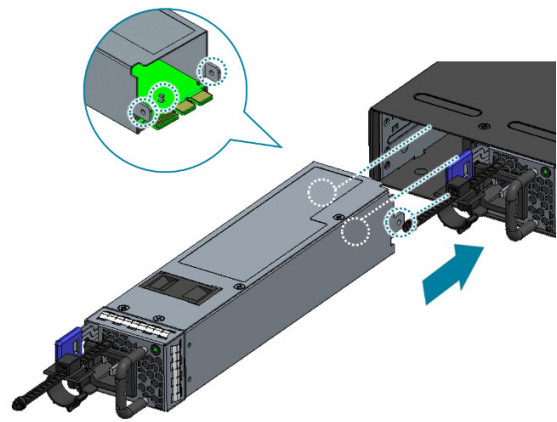


Figure 18.



8 Grounding the Router

It is recommended that equipment changes be done on a grounded rack system. This will reduce or prevent the risk of shock hazards, equipment damage, and potential of data corruption.

The router can be grounded from the router's case and the power supply units (PSUs). When grounding the PSUs, ensure that both PSUs are grounded at the same time in case one of them is removed. A grounding lug, M4 screws, and washers are provided with the package contents, however, the grounding wire is not included. For convenience, there are two locations on the case in which the grounding lug may be fixed.

The following instructions are for grounding the router.



This equipment must be grounded. Do not defeat the ground conductor or operate the equipment without correctly grounding the equipment. If there is any uncertainty about the integrity of the equipment's grounding, please contact the electrical inspection authority or a certified electrician.

1. Before grounding the router, ensure that the rack is properly grounded and in compliance with local regulatory guidelines. Ensure that there is nothing that can obstruct the connection for grounding and remove any paint or materials that may prevent good grounding contact.
2. Strip the insulation from a size #6 AWG grounding wire (not provided within the package contents), leaving 0.5" +/- 0.02" (12.7mm +/- 0.5mm) of exposed grounding wire.
3. Insert the exposed grounding wire all the way into the hole of the grounding lug (provided with package contents).
4. Using a crimping tool, firmly secure the grounding wire to the grounding lug.

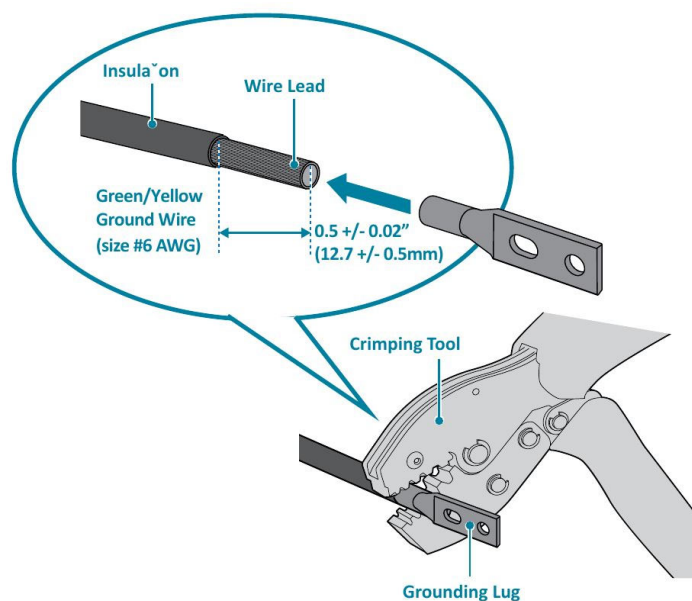


Figure 19.

5. Locate the designated location for securing the grounding lug, which is located on the side of the router.
6. Using 2 M4 screws and 4 washers (provided with the package contents), firmly lock the grounding lug to either of the designated grounding locations on the router.

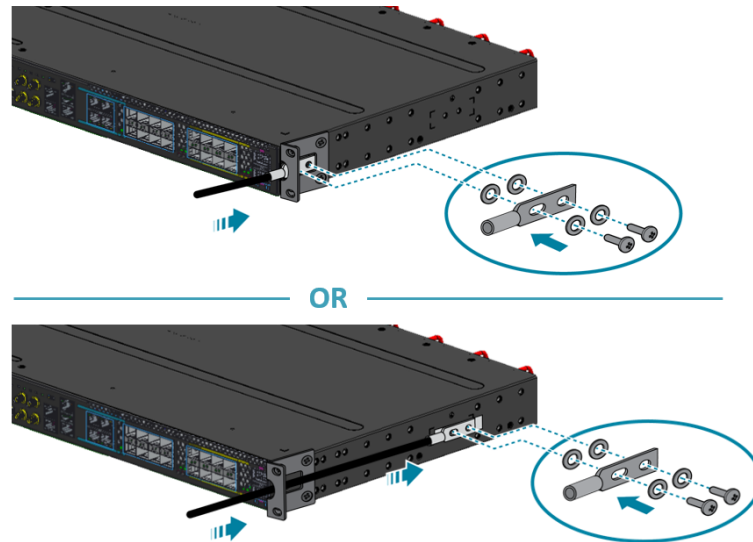


Figure 20.

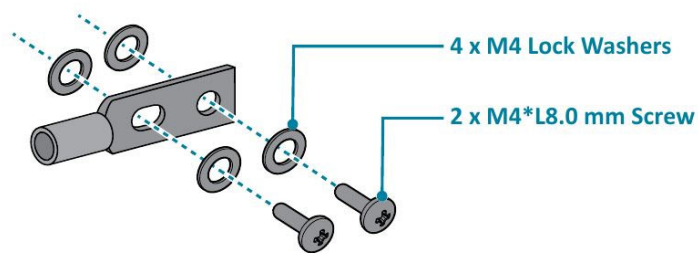


Figure 21.

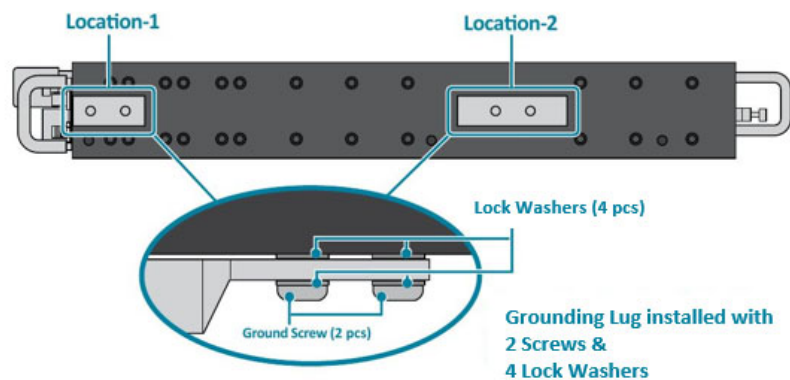


Figure 22.



9 Connecting Power

9.1 DC Version

1. Ensure there is enough power to supply the system.

The maximum system power consumption is 193 watts. It is recommended to ensure that enough power is reserved from the power distribution system before installation. Also, please ensure that both PSUs have been properly installed before powering up the equipment, as the S9500-22XST is designed to support 1 + 1 power redundancy.

2. Attach the power cable.

Locate the DC power screw-type terminal block on the DC PSU. Attach the UL 1015, 14 AWG DC power cable (not provided within the package contents) to the DC inlet connector on the PSU.

 Warning	<p>Dangerous voltage!</p> <ul style="list-style-type: none">• Must be powered off before removing!• Verify that all electrical connections are grounded before powering on• The DC power source must be reliably grounded
--------------------	--

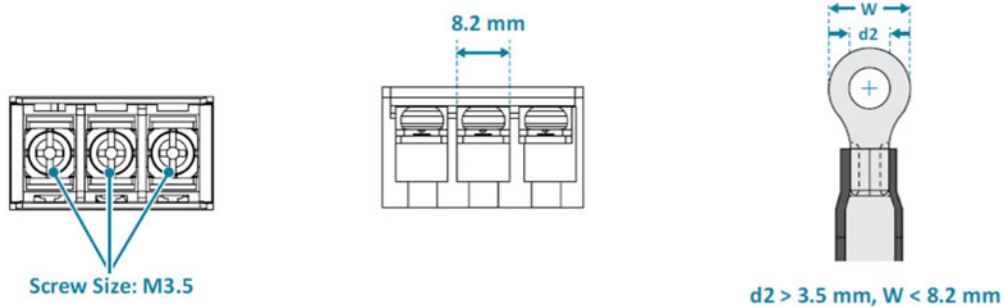


Figure 23.

3. Tighten the screws to the specified torque.

Tighten the screws to a torque value of 7.0+/-0.5kgf.cm. If the torque is not enough, the lug will not be secure and may cause malfunctions. If the torque is too much, the terminal block or lug may be damaged.

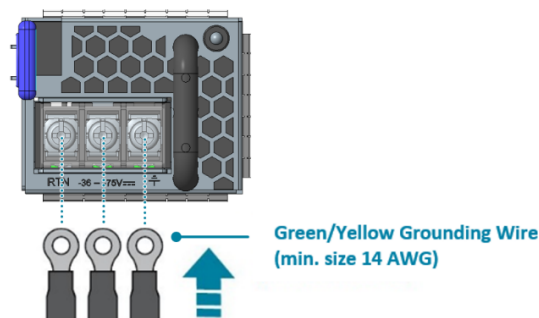


Figure 24.

4. Feed DC power into the system.
The PSU will immediately output 12V and 5VSB to the system when a -36V to -75V DC power source is applied. The PSU has a built in 20 amperes, fast acting fuse based on the PSU maximum capacity, which will act as a second tier system protection in case the power distribution unit's fuse is not functioning.
5. Verify that the power supply is operating.
If connected correctly, when turned on, the LED on the PSU will light up with a Green color designating normal operation.

9.2 AC Version

1. Ensure there is enough power to supply the system.
The maximum system power consumption is 192.6 watts with an input voltage of 100-240V AC. It is recommended to ensure that enough power is reserved from the power distribution system before installation. Also, please ensure that both PSUs have been properly installed before powering up the equipment, as the S9500-22XST is designed to support 1 + 1 power redundancy.
2. Attach the power cable.
Plug the power cord into the AC PSU and secure it tightly.
3. Verify that the power supply is operating.
If connected correctly, when turned on, the LED on the PSU will light up with a Green color designating normal operation.

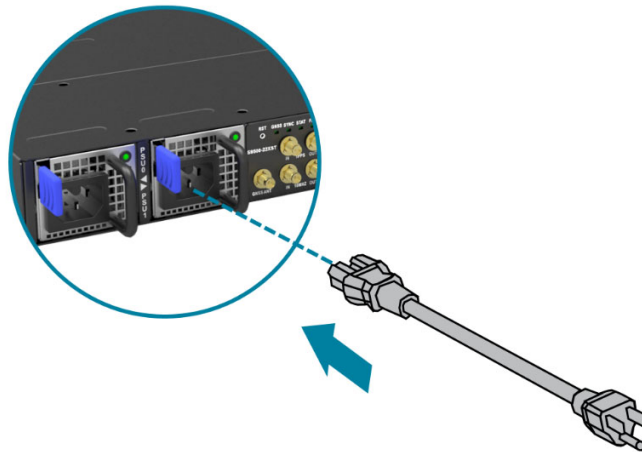


Figure 25.



10 Verifying System Operation

10.1 Front Panel LED

Verify basic operations by checking the system LEDs located on the front panel. When operating normally, the PWR, FAN, and STAT LEDs should all display green.



Figure 26.

LED Condition	Equipment Status
GNSS	
Off	GNSS is not configured. NOTE: Need NOS to activate this feature.
Solid Green	GNSS is in normal state. Self-survey is complete. NOTE: Need NOS to activate this feature.
Blinking Green	GNSS is in learning state. Self-survey is not completed. NOTE: Need NOS to activate this feature.
Solid Yellow	Power up. GNSS is not tracking any satellite.
Blinking Yellow	GNSS antenna is short to ground. NOTE: Need NOS to activate this feature.
SYNC	
Off	System timing synchronization is disabled or in free-run mode. **Note: need NOS to activate this feature
Solid Green	System timing core (1588 and SyncE) is synchronized to external timing source (ex: GNSS, 1PPS, PTP, BITS, etc) **Note: need NOS to activate this feature
Blinking Green	System is synchronized in SyncE mode. **Note: need NOS to activate this feature
Solid Yellow	System timing core is in acquiring state or holdover mode.
Blinking Yellow	System timing synchronization fail. **Note: need NOS to activate this feature
STAT	
Off	System (X86 & BMC) is initializing or not powered
Solid Green	System boot complete (NOS) **Note: need NOS to activate this feature
Blinking Green	System is booting
Solid Yellow	System boot complete(DIAG OS)

LED Condition	Equipment Status
FAN	
Off	System (X86 & BMC) is initializing or not powered
Solid Green	All FAN modules work well
Blinking Yellow	One or more FAN module(s) fail or no FAN module present
PWR	
Off	No power or in shutdown mode.
Solid Green	System power good & BMC heating done
Blinking Green	System power good & BME is heating
Solid Yellow	System power good but BMC heating fail
Blinking Yellow	System power fail

10.2 PSU FRU LED

LED Condition	Equipment Status
Off	No DC power to all PSUs
Flashing Red	No DC power to this PSU
Flashing Green	DC present, only standby output on. Poor contact
Green	PSU DC output ON and OK
Red	PSU failure.
Flashing between Green and Red	Warning. Working condition not satisfied. Please check the voltage, electric current, and temperature.

10.3 Fan FRU LED

LED Condition	Equipment Status
Off	Main board 3.3V power fail or Fan is not present.
Solid Green	Fan is present and interrupt de-assert
Blinking Green	N/A
Solid Yellow	N/A
Blinking Yellow	Fan is present but interrupt assert.

10.4 Management port LED

LED Condition	Equipment Status
Left LED	
Off	1G no link
Solid Green	1G link-up
Blinking Green	1G TX/RX activity
Right LED	
Off	No activity
Solid Amber	10M/100M link-up
Blinking Amber	10M/100M TX/RX activity



11 Initial System Setup

Establishing a first-time serial connection.

To assign an IP address, you must have access to the command line interface (CLI). The CLI is a text-based interface that can be accessed through a direct serial connection to the device.

Access the CLI by connecting to the console port. After you assign an IP address, you can access the system through Telnet or SSH by Putty, TeraTerm or HyperTerminal.

Perform the following steps to access the device through a serial connection:

1. Connect the console cable.

- The console can be connected using either the RJ45 port or the micro USB port, both ports are labelled IOIO. If connecting with micro USB, drivers will need to be installed.
- To connect the console using the RJ45 port, locate the RJ45 port labelled IOIO, then plug a RJ45 serial cable into the console port and connect the other end to the computer. Cable types may vary depending on the model.

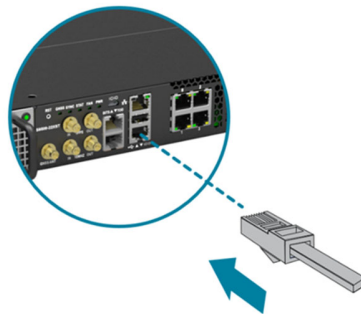


Figure 27.

- To connect the console using the micro USB port, locate the port on the front panel of the router, then connect your computer using the micro USB cable provided in the packaging contents. Download the suitable driver for your operating system (OS) using the URL below:

- <https://www.silabs.com/products/development-tools/software/usb-to-uart-bridge-vcp-drivers>
- <https://www.silabs.com/> and search for CP210X

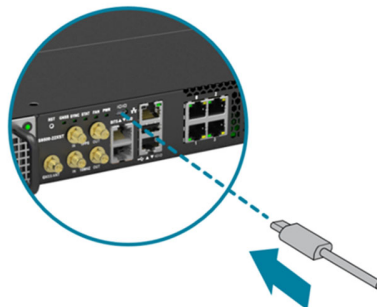


Figure 28.

2. Check for serial control availability.
Disable any serial communication programs running on the computer such as synchronization programs to prevent interference.
3. Launch a terminal emulator.
Open a terminal emulator application such as HyperTerminal (Windows PC), Putty or TeraTerm and configure the application. The following settings are for a Windows environment (other operating systems will vary):
 - Baud rate: 115200 bps
 - Data bits: 8
 - Parity: None
 - Stop bits: 1
 - Flow control: None
4. Login to the device.
After the connection is established, a prompt for the username and password displays. Enter the username and password to access the CLI. The username and password should be provided by the Network Operating System (NOS) vendor.



12 Cable Connections

12.1 Connecting the USB Extender Cable

Connect the USB 2.0 A Type plug (male connector) into the USB port (female connector) located on the front panel of the router. The USB port is a maintenance port.



Figure 29.

12.2 Connecting a Cable to the ToD Interface



Note

The maximum length of the straight-through Ethernet cable should not be more than 3 meters.

1. Connect one end of a straight-through Ethernet cable to the GNSS unit
2. Connect the other end of the straight-through Ethernet cable to the port marked “TOD” located on the front panel of the router.



Figure 30.

12.3 Connecting a Cable to the BITS Interface



Note

The maximum length of the BITS cable should not be more than 3 meters.

1. Connect one end of a shielded RJ48 cable to the port labelled “BITS” located on the front panel of the router.
2. Connect the other end of the cable to the BITS patch or demarcation panel.



Figure 31.

3. Below is the pinout for the BITS port.

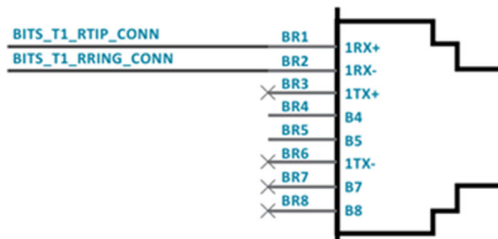


Figure 32.

12.4 Connecting the GNSS Interface

Connect an external GNSS antenna with an impedance of 50 ohms to the port marked “GNSS ANT” located on the front panel of the router.



Figure 33.

12.5 Connecting the 1PPS Interface



Note

The maximum length of the 1PPS coaxial SMB/1PPS Ethernet cable should not be more than 3 meters.

Connect an external 1PPS cable with an impedance of 50 ohms to the port labelled “ 1PPS”.



Figure 34.

12.6 Connecting the 10MHz Interface



Note

The maximum length of the 10MHz coaxial SMB cable should not be more than 3 meters.

Connect an external 10MHz cable with an impedance of 50 ohms to the port labelled "10MHz".



Figure 35.

12.7 Connecting the Transceiver



Note

To prevent over tightening and damaging the optic fibers, it is not recommended to use tie wraps with optical cables.

Read the following guidelines before connecting the transceiver:

- Before installing the router, take into consideration rack space requirements for cable management and plan accordingly.
- It is recommended to use hook-and-loop style straps to secure and organize the cables.
- For easier management, label each fiber-optic cable and record its respective connection.
- Maintain a clear line of sight to the port LEDs by routing the cables away from the LEDs.



Caution

Before connecting anything (cables, transceivers, etc.) to the router, please ensure to discharge any static electricity that may have built up during handling. It is also recommended the cabling be done by a professional who is grounded, such as by wearing an ESD wrist strap.

Please follow the steps below for connecting a transceiver.

1. Remove the new transceiver from its protective packaging.
2. Remove the protective plug from the transceiver port.
3. Place the bail (wire handle) in the unlocked position and align the transceiver with the port.
4. Slide the transceiver into the port and use gentle pressure to secure it in place. An audible click can be heard when the transceiver is secured in the port.

12.8 Installing an Antenna



Note

Make sure the satellite signal strength is greater than 30db, when using a GNSS simulator for testing.

Read the following guidelines before installing your antenna.

- The S9500-22XST supports various types of receiver frequency types, including GPS/QZSS L1 C/A, GLONASS L10F, BeiDou B1 SBAS L1 C/A: WAAS, EGNOS, MSAS, GAGAN Galileo

E1B/C.

- The minimum sensitivity of the receiver frequency (RF) is -166dBm.
- The S9500-22XST supports both passive and active GNSS antennas, and will automatically detect which type of antenna is installed.
- If the received signal strength is lower than 30db, the GNSS receiver will fail to produce accurate location estimates.

To optimize antenna performance, it is highly recommended to choose a roof or top floor that is free from any signal blockage or obstruction.

Read the following guidelines before installing an active antenna:

- When an active antenna is installed, the S9500-22XST can supply up to 5V DC/150mA on the GNSS port.
- If any GNSS amplifier, DC-blocked or cascaded splitter is inserted, the GNSS detection function might be affected, resulting in GNSS satellite clock errors.
- We recommend that you use an active antenna equipped with 50 ohm impedance matching, 5V DC power supply capable, max. NF 1.5dB and 35~42dB internal LNA gain to get a strong enough signal strength in various weather conditions.
- To prevent damages caused by power surges or lightning strikes, ensure a surge protector is attached to the GNSS antenna.

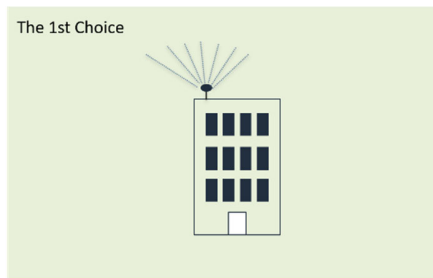


Figure 32.

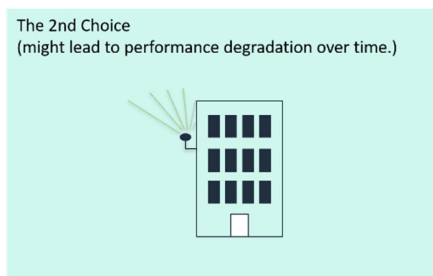


Figure 33.



13 Cautions and Regulatory Compliance Statements



Safety Notices

Caution! Shock hazard!

TO DISCONNECT POWER, REMOVE ALL POWER CORDS FROM UNIT.



Electrical Hazard: Only qualified personnel should perform installation procedures.

Risques d'électrocution: Seul un personnel qualifié doit effectuer les procédures d'installation.



Warning: Network Switch power supplies do not have switches for turning the unit on and off. Before servicing, disconnect all power cords to remove power from the device. Make sure that these connections are easily accessible.

Avertissement: Network Switch alimentations ne sont pas des interrupteurs pour allumer l'appareil et en dehors. Avant l'entretien, débranchez tous les cordons d'alimentation pour couper l'alimentation de l'appareil. Assurez-vous que ces connexions sont facilement accessibles.



Caution: Before mounting the device, ensure that the rack can support it without compromising stability. Otherwise, personal injury and/or equipment damage may result.



Caution: Use of controls or adjustments or performance of procedures other than those specified herein may result in hazardous radiation exposure.



Caution: Only Laser Class 1 optical transceivers shall be used.



Warning: Do not use optical instruments to view the laser output. The use of optical instruments to view laser output increases eye hazard. Use only UL/CSA, IEC/EN60825-1/-2 recognized pluggable modules.

Avertissement: Ne pas utiliser d'instruments optiques pour voir la sortie du laser. L'utilisation de instruments optiques pour afficher la sortie laser augmente les risques oculaires. Utilisez uniquement UL/CSA, IEC/EN60825-1 /-2 reconnu modules enfichables.



Warning:

The equipment should only be used within a restricted access area.

The equipment should only be operated by skilled or instructed persons.

The equipment and its modules should only be repaired, maintained or replaced by skilled personnel.

Instructed person is a term applied to persons who have been instructed and trained by a skilled person, or who is supervised by a skilled person.



< 電源コードセットに関する使用上の注意事項 >

付属の「AC電源コードセット」は、本製品専用のものです。他の電気機器には絶対に使用しないでください。



この装置は、クラスA機器です。この装置を住宅環境で使用すると電波妨害を引き起こすことがあります。この場合には使用者が適切な対策を講ずるよう要求されることがあります。

Class A ITE Notice



This equipment is compliant with Class A of CISPR 32. In a residential environment this equipment may cause radio interference.

VCCI Notice

This is Class A equipment. Operation of this equipment in a residential environment could cause radio interference. In such a case, the user may be required to take corrective actions.

この装置は、クラスA機器です。この装置を住宅環境で使用すると電波妨害を引き起こすことがあります。この場合には使用者が適切な対策を講ずるよう要求されることがあります。

VCCI-A

警告使用者：

此為甲類資訊技術設備，於居住環境中使用時，可能會造成射頻擾動，在此種情況下，使用者會被要求採取某些適當的對策。

此为A级产品，在生活环境中，该产品可能会造成无线电干扰。

在这种情况下，可能需要用户对干扰采取切实可行的措施。

The logo for ufiSpace, featuring the word "ufiSpace" in a bold, white, sans-serif font. The "i" in "ufi" has a dot, and the "S" in "Space" is larger and more prominent. The text is centered on a dark red background that is part of a larger graphic design with geometric shapes and gradients.

Unifying Cloud & Carrier Networks

www.ufispace.com